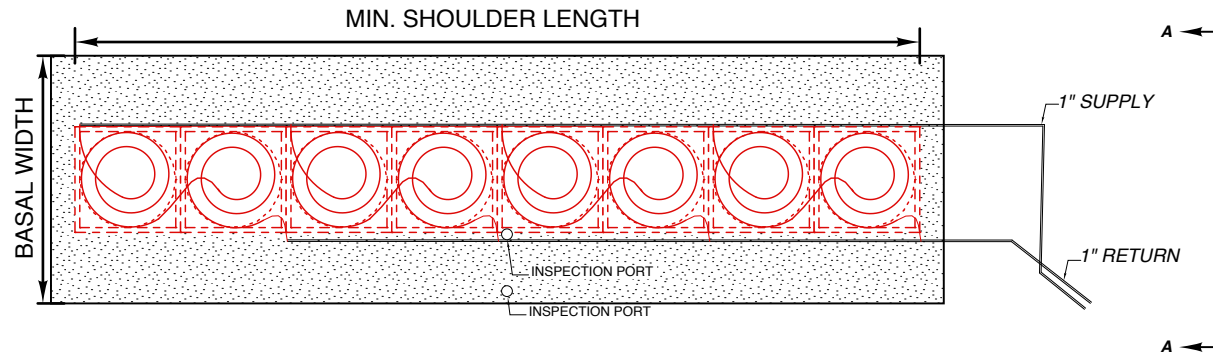
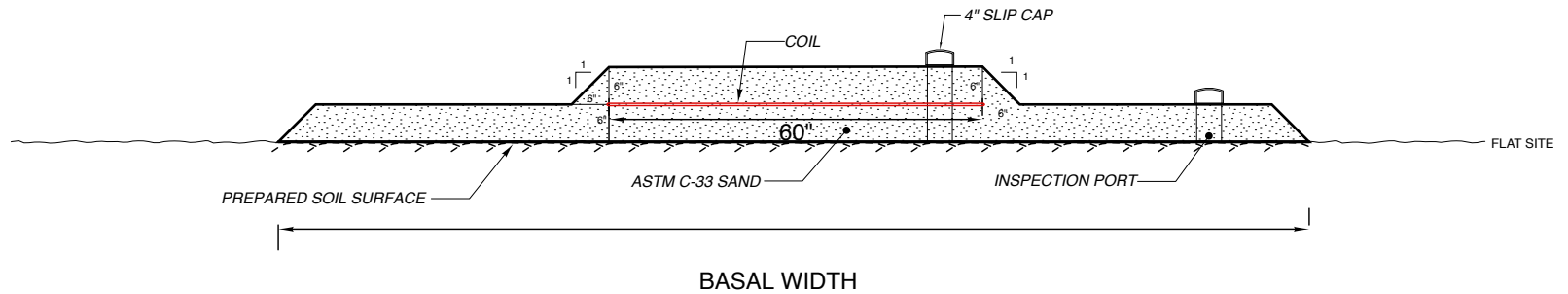


OS-360-5



Plan View
NTS



Section A
NTS