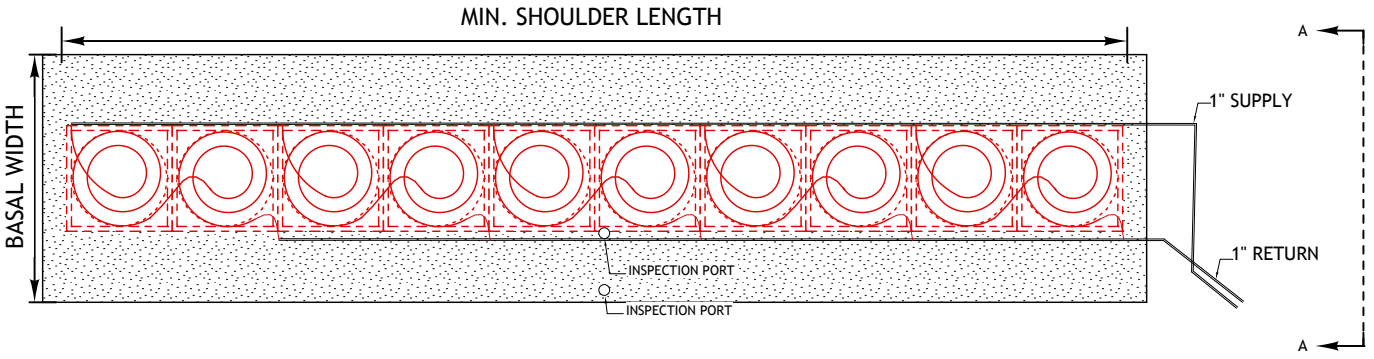
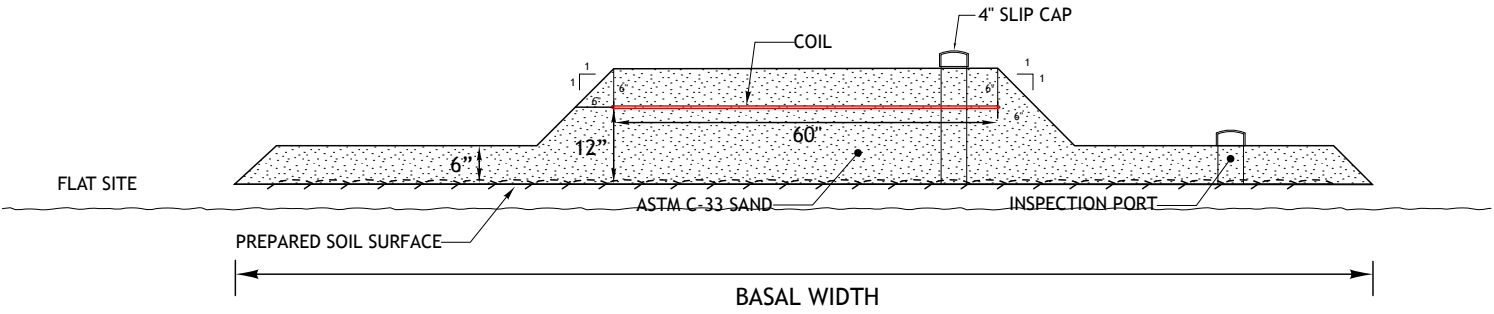


OSIII-240-5



Plan View
NTS



Section A
NTS

Lowridge Onsite Technologies, LLC
 Lake Stevens, WA 877-476-8823
www.lowridgetech.com
info@lowridgetech.com

UPDATED 12-28-2018

SCALE: NTS

OSCAR 240 gpd, 5' diameter coils on flat site