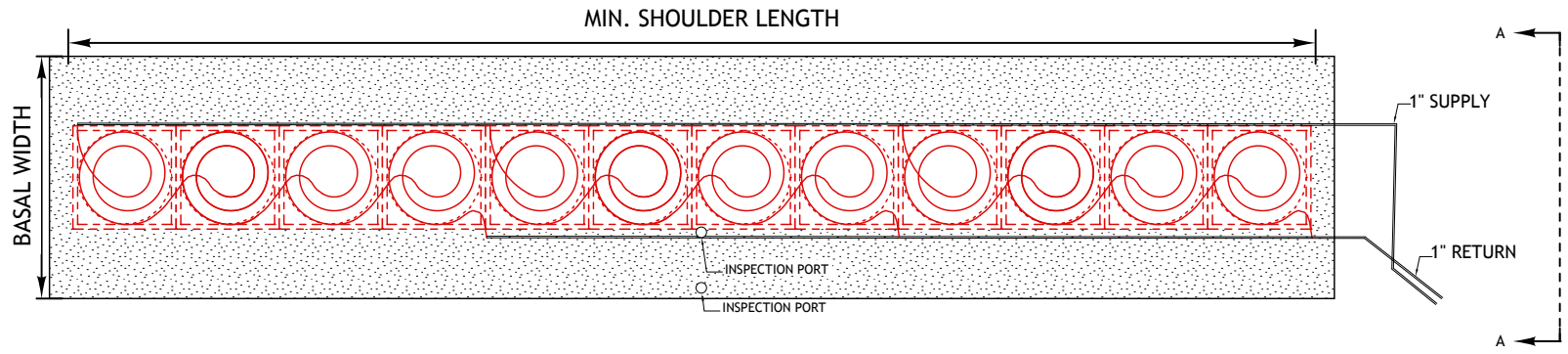
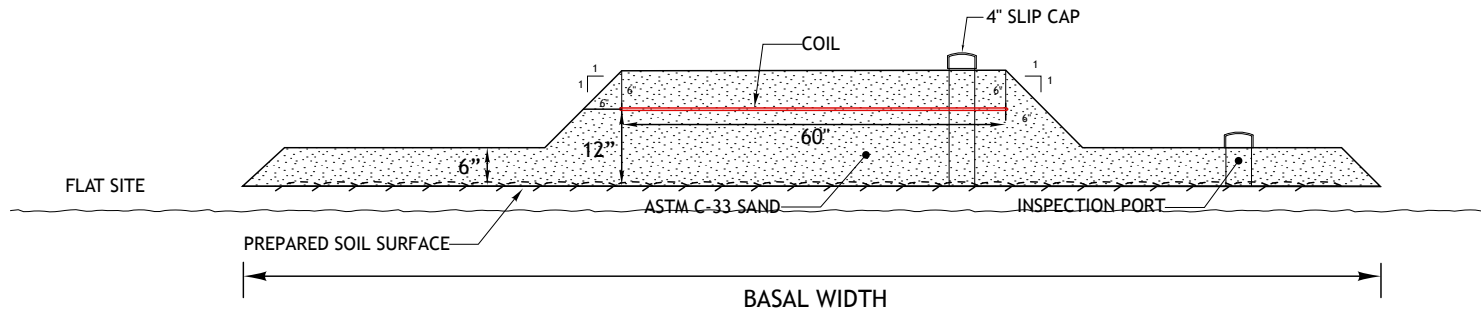


OSIII-300-5



Plan View
NTS



Section A
NTS

UPDATED 12-28-2018

SCALE: NTS

OSCAR 300 gpd, 5' diameter coils on flat site

Lowridge Onsite Technologies, LLC
Lake Stevens, WA 877-476-8823
www.lowridgetech.com
info@lowridgetech.com