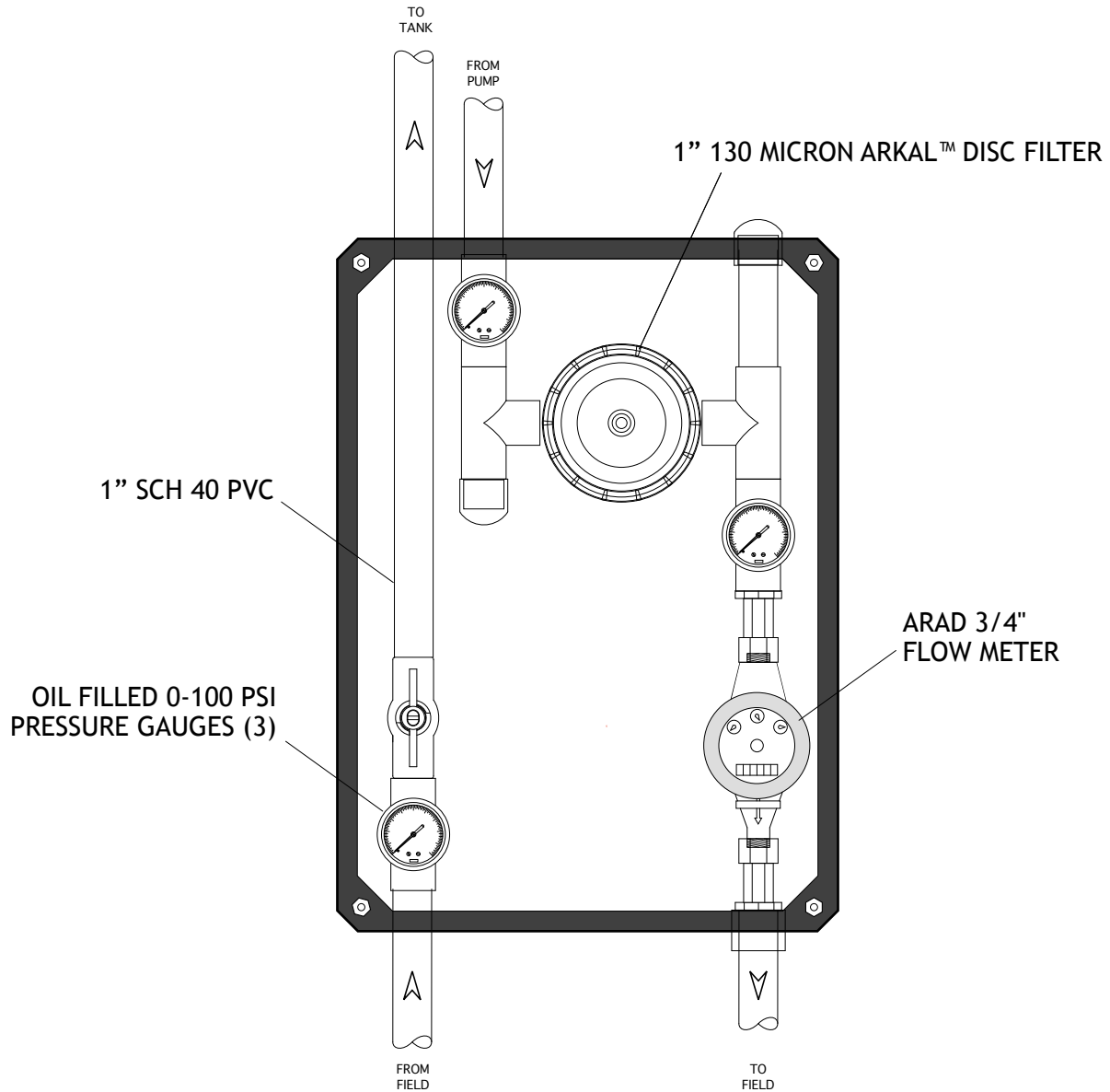


LOWRIDGE ONSITE TECHNOLOGIES, LLC
Continuous Flush Headwork
Model HWN-1-CON



Lowridge Onsite Technologies, LLC
Lake Stevens, WA
877-476-8823
www.lowridgetech.com
info@lowridgetech.com

Date: 5-30-2019

SCALE: NTS

Model HWN-1-CON