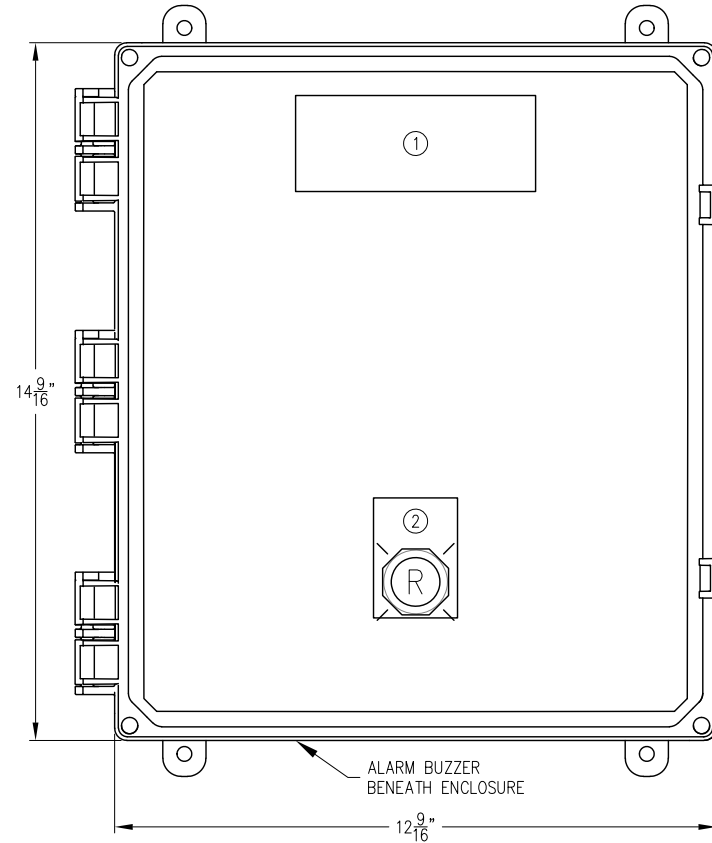
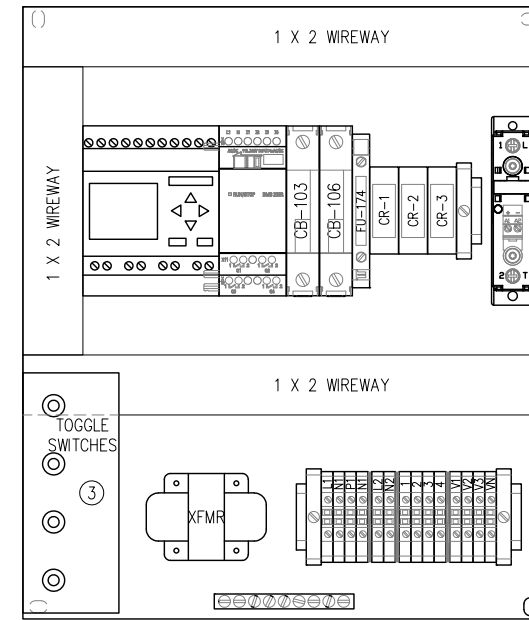


DOOR TAG LEGEND  
SCALE 1:2



EXTERIOR LAYOUT



INTERIOR LAYOUT

PHENOLIC TAG COLOR LEGEND

TAG ID	DESCRIPTION
B/W	BLACK TAG WITH WHITE LETTERING
W/B	WHITE TAG WITH BLACK LETTERING
R/W	RED TAG WITH WHITE LETTERING
Y/B	YELLOW TAG WITH BLACK LETTERING
O/W	ORANGE TAG WITH WHITE LETTERING

REV	DATE	APP	DESCRIPTION
2	1/15/21	MS	CHANGES PER COMMENTS - JR
1	12/03/20	MS	ADDED SEPARATE CONTROL POWER CIRCUIT - JR
0	11/06/20	MS	SHOP AS-BUILT - JR
A	10/16/20	MS	FOR SUBMITTAL REVIEW - JR

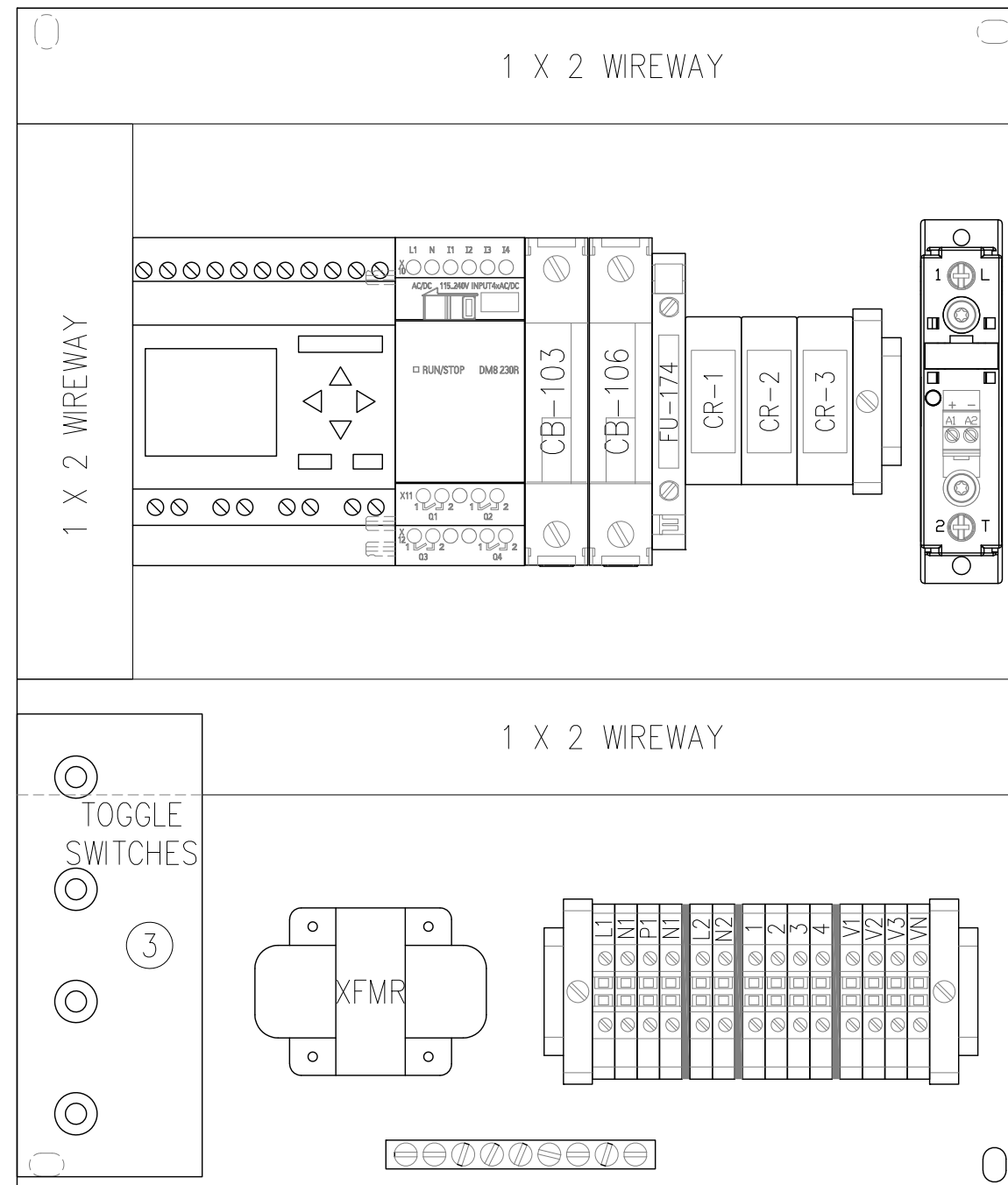
**Control Panels USA Inc.**  
Custom Control Panel Design & Fabrication Services  
16310 Bratton Lane, Bldg 1, Ste 100  
Austin, Texas 78728 (512) 863-3224

DESIGNER M. SALYER	DATE: 10/05/20
DRAWN BY: J. RAMOS	CHECKED BY:
DRAWING STATUS: AS-BUILT	

CLIENT:

**LOWRIDGE  
ONSITE  
TECHNOLOGIES**

<b>OSCAR-II</b>	
JOB NO. 20-2608	DWG. NO. CP-1.1
SCALE 1:4	SHEET REV. 2



INTERIOR LAYOUT

REV	DATE	APP	DESCRIPTION
2	1/15/21	MS	CHANGES PER COMMENTS - JR
1	12/03/20	MS	ADDED SEPARATE CONTROL POWER CIRCUIT - JR
0	11/06/20	MS	SHOP AS-BUILT - JR
A	10/16/20	MS	FOR SUBMITTAL REVIEW - JR

**CPUSA**  
**Control Panels USA Inc.**  
 Custom Control Panel Design & Fabrication Services  
 16310 Bratton Lane, Bldg 1, Ste 100  
 Austin, Texas 78728 (512) 863-3224

DESIGNER M. SALYER	DATE: 10/05/20
DRAWN BY: J. RAMOS	CHECKED BY:
DRAWING STATUS: AS-BUILT	

CLIENT:  
**LOWRIDGE  
 ONSITE  
 TECHNOLOGIES**

<b>OSCAR-II</b>	
JOB NO. 20-2608	DWG. NO. CP-1.2
SCALE NTS	SHEET REV. 2

LF1P-RF-BLWR REFERENCE CHART  
PROGRAM CODE: MI024-82

## CONTROL PANEL CONNECTIONS

### INPUT FUNCTIONS

1. DISCHARGE TIMER ENABLE/RO
2. DISCHARGE HIGH LEVEL
3. PRESSURE SWITCH
4. PUSH TO SILENCE

### CONDITIONS FOR ACTIVATION

- FLOAT IN UP POSITION
- FLOAT IN UP POSITION
- PRESSURE IS LOW
- PUSHBUTTON IS PRESSED

### OUTPUT FUNCTIONS

1. DISCHARGE PUMP
2. VALVE 1 & 2 (V1)
3. VALVE 3 & 4 (V2)
4. VALVE 5 (V3)
5. ALARM LIGHT
6. AUDIBLE ALARM

### CONDITION FOR ACTIVATION

- PUMP IS CALLED TO RUN
- VALVE 1 & 2 IS OPEN
- VALVE 3 & 4 IS OPEN
- VALVE 5 IS OPEN
- DISCHARGE HIGH LEVEL FLOAT IN THE UP POSITION OR PRESSURE SWITCH IS ACTIVE
- AUDIBLE ALARM IS ACTIVATED

### BUILT IN SCREENS

BUILT IN SCREENS INCLUDE: TIME AND DATE, DIGITAL INPUTS, AND DIGITAL OUTPUTS. TO VIEW THESE SCREENS, PRESS THE DOWN ARROW REPEATEDLY UNTIL A BUILT IN SCREEN APPEARS, THEN USE THE LEFT AND RIGHT ARROWS KEYS TO CHANGE BETWEEN SCREENS.

### SYSTEM DATA SCREENS

ALARM SCREENS APPEAR DURING ALARM CONDITIONS. TO CHANGE BETWEEN THESE SCREENS, PRESS THE UP AND DOWN ARROW KEYS.

### SELECTING PARAMETERS FOR VIEWING OR ADJUSTING

TO BEGIN THE PROCESS TO SET PARAMETERS, PRESS THE DOWN ARROW REPEATEDLY UNTIL THE LAST SCREEN IS SHOWN, THEN PRESS 'ESC'.

### BLOCK NAMES

### DESCRIPTION

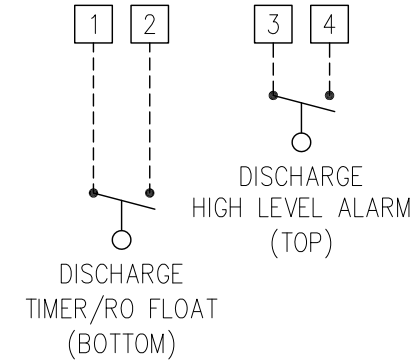
### FACTORY DEFAULT

### TIME RANGE

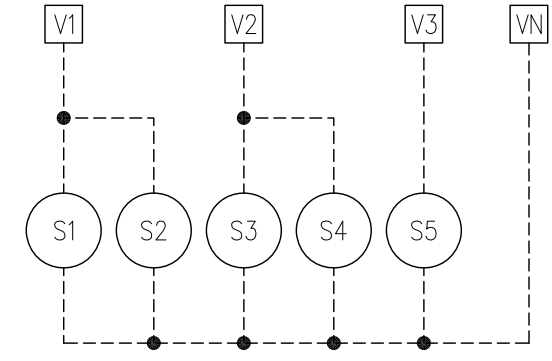
### BLOCK TYPE

BLOCK NAMES	DESCRIPTION	FACTORY DEFAULT	TIME RANGE	BLOCK TYPE
V1 OFF	VALVE 1, 2, & PUMP 1 'OFF' TIMER	3 MIN. 38 SEC.	MM:SS	TIMER
V1 ON	VALVE 1, 2, & PUMP 1 'ON' TIMER	22 SEC.	MM:SS	TIMER
V2 OFF	VALVE 3, 4, & PUMP 1 'OFF' TIMER	30 SEC.	MM:SS	TIMER
V2 ON	VALVE 3, 4, & PUMP 1 'ON' TIMER	15 SEC.	MM:SS	TIMER
V1V3 OFF	VALVE 1, 2, 5, & PUMP 1 'OFF' TIMER	30 SEC.	MM:SS	TIMER
V1V3 ON	VALVE 1, 2, 5, & PUMP 1 'ON' TIMER	2 MIN.	MM:SS	TIMER
V1 COUNT	V1 CYCLES BEFORE SWITCHING TO V2 CYCLES	90 CYCLES		COUNTER
V2 COUNT	V2 CYCLES BEFORE SWITCHING TO V1V3 CYCLES	1 CYCLE		COUNTER
V1V3 COUNT	V1V2 CYCLES BEFORE SWITCHING TO V1 CYCLES	1 CYCLE		COUNTER
RESET CT	RESET ALL ETMs AND CTs	OFF		SOFTKEY
DISABLE PUMP	DISABLE PUMP DURING A PRESSURE ALARM	OFF		SOFTKEY

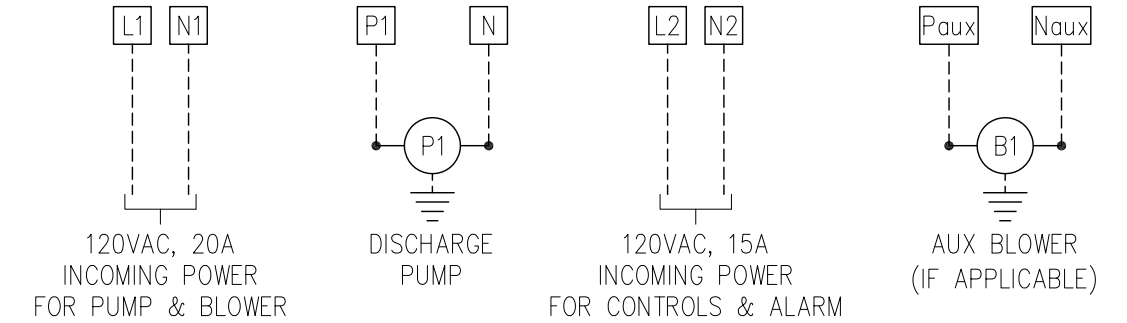
### DISCHARGE TANK



### VALVES



### PUMPS & BLOWER



REV	DATE	APP	DESCRIPTION
2	1/15/21	MS	CHANGES PER COMMENTS - JR
1	12/03/20	MS	ADDED SEPARATE CONTROL POWER CIRCUIT - JR
0	11/06/20	MS	SHOP AS-BUILT - JR
A	10/16/20	MS	FOR SUBMITTAL REVIEW - JR

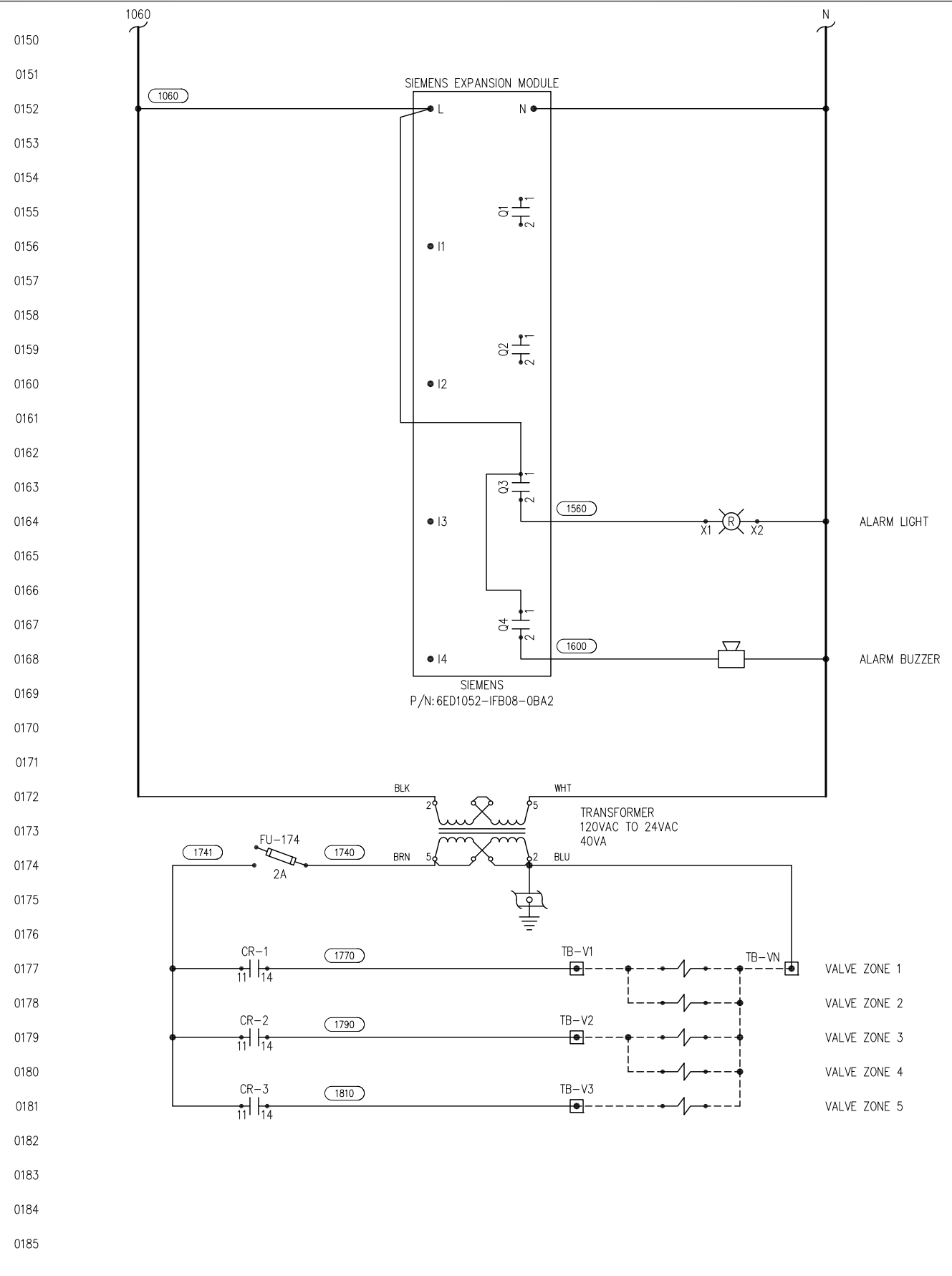
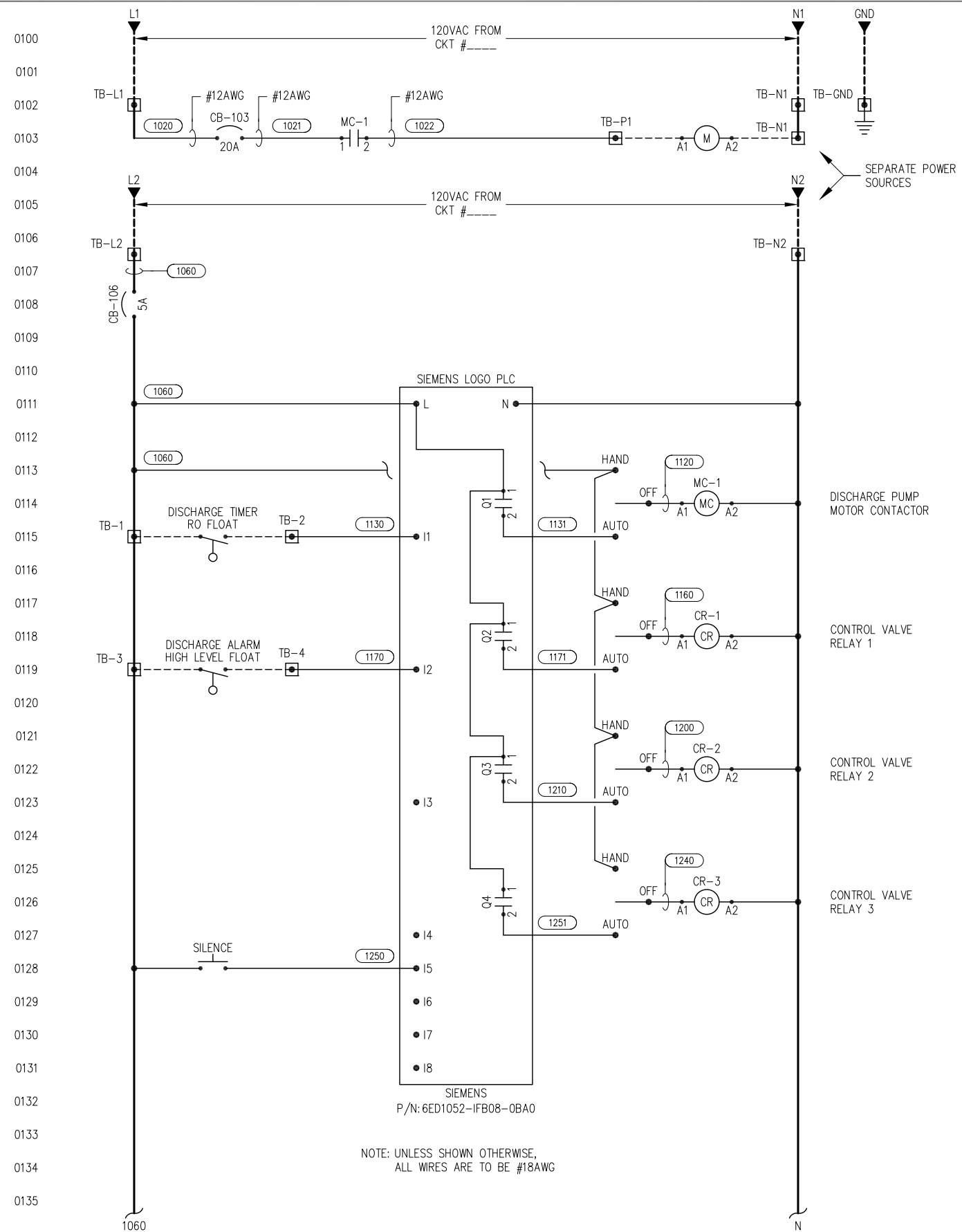
**CPUSA**  
Control Panels USA Inc.  
Custom Control Panel Design & Fabrication Services  
16310 Bratton Lane, Bldg 1, Ste 100  
Austin, Texas 78728 (512) 863-3224

DESIGNER  
M. SALYER  
DRAWN BY: J. RAMOS  
CHECKED BY:  
DATE: 10/05/20  
DRAWING STATUS: AS-BUILT

CLIENT:  
**LOWRIDGE  
ONSITE  
TECHNOLOGIES**

**OSCAR-II**

JOB NO. 20-2608	DWG. NO. CP-1.3
SCALE NTS	SHEET REV. 2



**SCHEMATIC LEGEND**

	INTERNAL PANEL WIRING
	FIELD WIRING
	TERMINAL LOCATED IN LOCAL PANEL
	WIRE LABEL

	MECHANICAL GROUND LUG
	GROUND BAR
	GROUND TERMINAL

REV	DATE	APP	DESCRIPTION
2	1/15/21	MS	CHANGES PER COMMENTS - JR
1	12/03/20	MS	ADDED SEPARATE CONTROL POWER CIRCUIT - JR
0	11/06/20	MS	SHOP AS-BUILT - JR
A	10/16/20	MS	FOR SUBMITTAL REVIEW - JR

**CPUSA**  
Control Panels USA Inc.  
Custom Control Panel Design & Fabrication Services  
16310 Bratton Lane, Bldg 1, Ste 100  
Austin, Texas 78728 (512) 863-3224

DESIGNER M. SALTER	DATE: 10/05/20
DRAWN BY: J. RAMOS	CHECKED BY:
DRAWING STATUS: AS-BUILT	

CLIENT:  
**LOWRIDGE  
ONSITE  
TECHNOLOGIES**

<b>OSCAR-II</b>	
JOB NO. 20-2608	DWG. NO. E-1.1
SCALE NONE	SHEET REV. 2

Three Phase & 220/240/277/380/400/480 Power

Per UL508 and NEC all wires within panel shall be Black unless otherwise noted. All wires shall be sized per NEC.

Single Wire Phase Color

- AC Hot  Black  Red  Gray  Other\_\_\_\_\_
- AC Neutral  White  Gray  Other\_\_\_\_\_
- AC Controls  Red  Black  Gray  Other\_\_\_\_\_
- 24VDC +  Blue  Red  Brown  Gray  Other\_\_\_\_\_
- 24VDC -  White/Blue  Blue/White  Black  Blue  Gray  Other\_\_\_\_\_
- 24VDC Controls  Blue  Red  Brown  Orange  Gray  Other\_\_\_\_\_
- 12VDC +  Blue  Red  Brown  Gray  Other\_\_\_\_\_
- 12VDC -  White/Blue  Blue/White  Black  Blue  Gray  Other\_\_\_\_\_
- 12VDC Controls  Blue  Red  Brown  Orange  Gray  Other\_\_\_\_\_
- Discrete Inputs  Multiconductor Colors  Red  Blue  Violet  Other\_\_\_\_\_
- Discrete Outputs  Multiconductor Colors  Red  Blue  Pink  Other\_\_\_\_\_
- Analog Inputs  Multiconductor Colors  TSP Colors  Other\_\_\_\_\_
- Analog Outputs  Multiconductor Colors  TSP Colors  Other\_\_\_\_\_
- TSP  Red(+)/Blk(-)  Blk(+)/Wht(-)  Other\_\_\_\_\_
- Foreign Power  Yellow  Other\_\_\_\_\_
- Intrinsically Safe  Powder Blue  Other\_\_\_\_\_

Other Notes: \_\_\_\_\_

Minimum Wire Size

- AC Power  16GA  14GA  12GA  Other\_\_\_\_\_
- AC Controls  16GA  14GA  12GA  Other\_\_\_\_\_
- DC Power  16GA  14GA  12GA  Other\_\_\_\_\_
- DC Controls  16GA  14GA  12GA  Other\_\_\_\_\_
- 4-20mA  20TSP  18TSP  16TSP  Other\_\_\_\_\_

Other Notes: \_\_\_\_\_

Wire Type

- Rating > 125VAC  THHN  Welding/Flex Cable  Other\_\_\_\_\_
- 120VAC & 24VDC  MTW/TEW (Tinned)  THHN  SIS  Other\_\_\_\_\_
- 125VDC  MTW/TEW (Tinned)  THHN  SIS  Other\_\_\_\_\_
- Analog Signals  TSP  Tin Coated Copper  Other\_\_\_\_\_
- PLC Cards  Multiconductor  Individual  Other\_\_\_\_\_

Other Notes: \_\_\_\_\_

Wire Tagging

- Manufacturer  Brady  Raychem  Other\_\_\_\_\_
- Type  Thermal Heat Shrink Sleeve  Other\_\_\_\_\_
- Color  White  Yellow  Other\_\_\_\_\_
- Wire Label Scheme  Line Numbers/CPUSA Standard  Source Destination  Other\_\_\_\_\_

Other Notes: \_\_\_\_\_

Wire Label Examples

	Wire Termination #1	Wire Termination #2
<input checked="" type="checkbox"/> Line Numbers/CPUSA Standard	1020	1020
<input type="checkbox"/> Circuit Names Only	BF562N	BF562N
<input type="checkbox"/> Circuit Name/Destination	X15A1/E1-1	X15A1/TI-1
<input type="checkbox"/> Source/Destination	RL5-1/B79	B79/RL5-1

Other Notes: \_\_\_\_\_

Door Tagging

- Type  Laminated Plastic (Phenolic)  Other\_\_\_\_\_
- Color  White Text on Black  Black Text on White  Other\_\_\_\_\_
- E-Stop Tag Color  Black Text on Yellow  White Text on Red  Other\_\_\_\_\_
- Mounting  Adhesive  SS Screws  Other\_\_\_\_\_

Other Notes: \_\_\_\_\_

UL Listing

- UL508A  UL698A  UL698B  CSA


Other Notes: \_\_\_\_\_

Short Circuit Rating

- 5KA  10KA  18KA  22KA  35KA  42KA  65KA  Other\_\_\_\_\_

Other Notes: \_\_\_\_\_

REV	DATE	APP	DESCRIPTION
2	1/15/21	MS	CHANGES PER COMMENTS - JR
1	12/03/20	MS	ADDED SEPARATE CONTROL POWER CIRCUIT - JR
0	11/06/20	MS	SHOP AS-BUILT - JR
A	10/16/20	MS	FOR SUBMITTAL REVIEW - JR



**Control Panels USA Inc.**  
 Custom Control Panel Design & Fabrication Services  
 16310 Bratton Lane, Bldg 1, Ste 100  
 Austin, Texas 78728 (512) 863-3224

DESIGNER M. SALYER	
DRAWN BY: J. RAMOS	DATE: 10/05/20
CHECKED BY:	
DRAWING STATUS: AS-BUILT	

CLIENT:  
**LOWRIDGE  
 ONSITE  
 TECHNOLOGIES**

<b>OSCAR-II</b>	
JOB NO. 20-2608	DWG. NO. G-1.1
SCALE NONE	SHEET REV. 2