

The OSCAR Matrix

November 15, 2022

The OSCAR-matrix is intended to help one decide which OSCAR technology will be the best fit for a given situation. New construction requires a minimum soil depth of 12” and the OS-50 coils. The OS-100 coils can be used when 18” or more of soil is available.

OSCAR-XO₂ is two technologies in one. An aerator is used in the second side of a septic tank to reduce the organic load prior to dosing an OSCAR. OSCAR-XO₂ coils are loaded at 2.5 gallons per square foot and meets TLA.

OSCAR-II is used with a 1500 gal. septic tank or is combined with another treatment technology. OSCAR-II with a septic tank meets TLD. OSCAR-II can be combined with another treatment system and meet a higher standard.

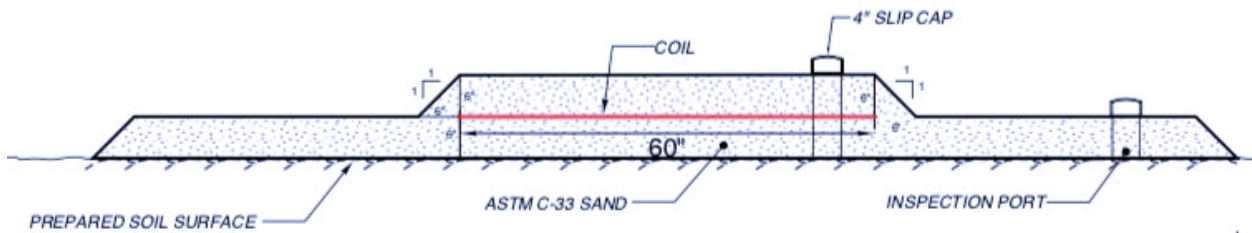
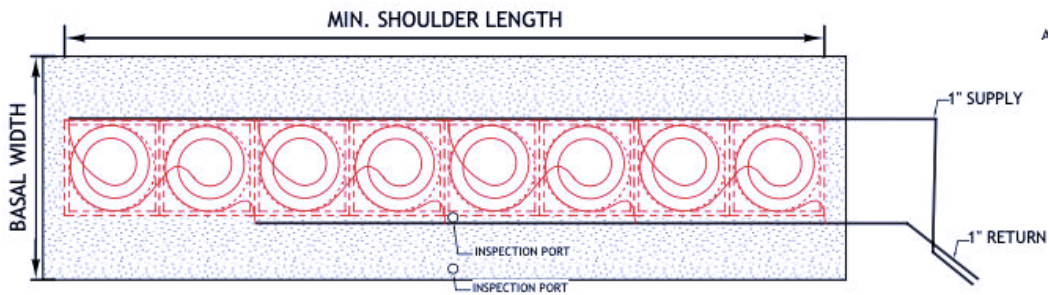
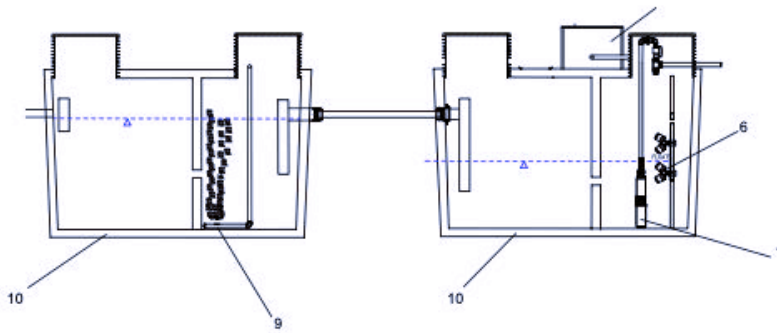
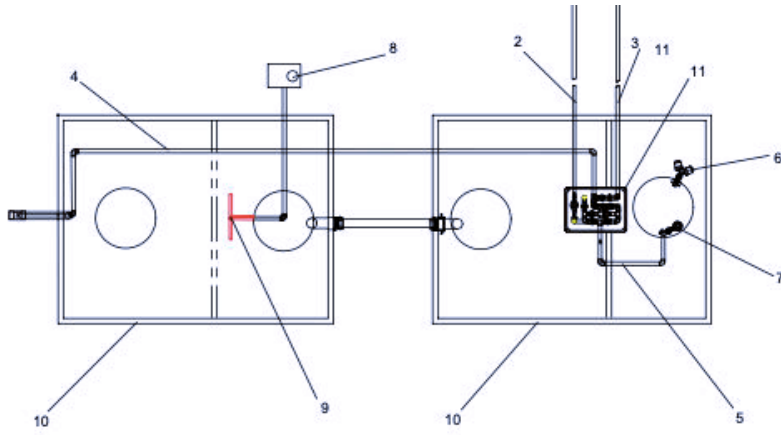
The OSCAR-III is similar to the OS-II in that it has the same overall square footage requirement for the drainfield, but requires more sand under the coil (12”) and has twice the number of coils. OSCAR-III achieves TLB.

OSCAR-in-a-Box is a treatment unit meeting TLB and will require a disposal component such as a subsurface dripfield or OSCAR.

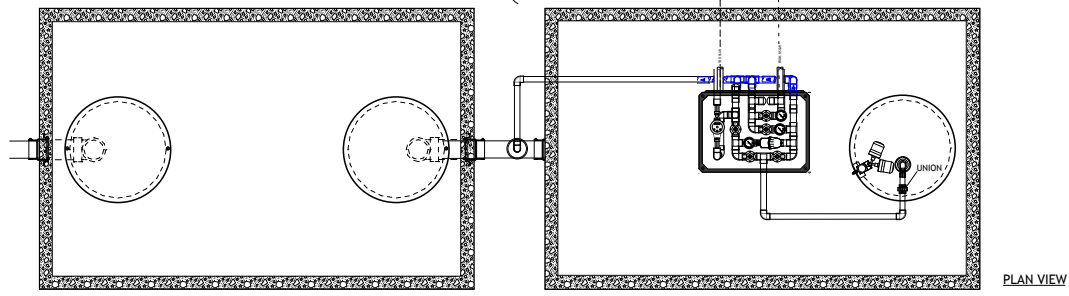
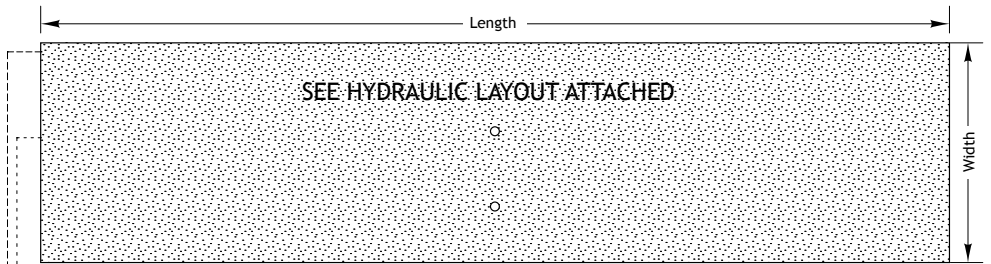
Use the following table as quick summary guide.

Treatment Technology	Treatment Level	Comments
OSCAR-XO ₂	TLA	No UV light. Small foot print, shallow soil, max. slope= 20%, 6” sand media. 12” minimum soil requirement with OS-50 coils (62.5 gal), 18” minimum soil depth with OS-100 coils 125 gal).
OS-III	TLB	Septic tank effluent, no treatment. Small, long and narrow foot print, shallow soils,. 12” sand media, 2x number of coils as the OS-II. 12” minimum soil requirement with OS-50 coils (25 gal.), 18” minimum with OS-100 coils (50 gal.). Max 20% slope
OSCAR-in-a-Box	TLB	Minimum 1,000 septic and pump tanks. OS-100 coils and sand are placed in 30 ml PVC liner, additional drainfield is required.
OS-II		OS-II can be used with another technology that meets TLB. Example, NuWater takes place of septic tank. Only 12” of soil and 6” of sand, required. 20% slope max.
OSCAR-II	TLD	1,500 gal. septic tank, 24” soil depth needed. Can use both OS-50 (50 gal) and OS-100 coils (100 gal.). Up to 20% slope. Can replace an LPD system in shallower soils.

OSCAR-XO₂, 480 gpd

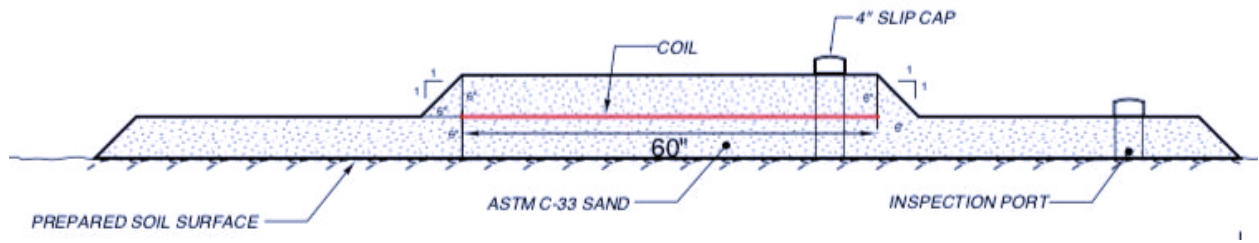
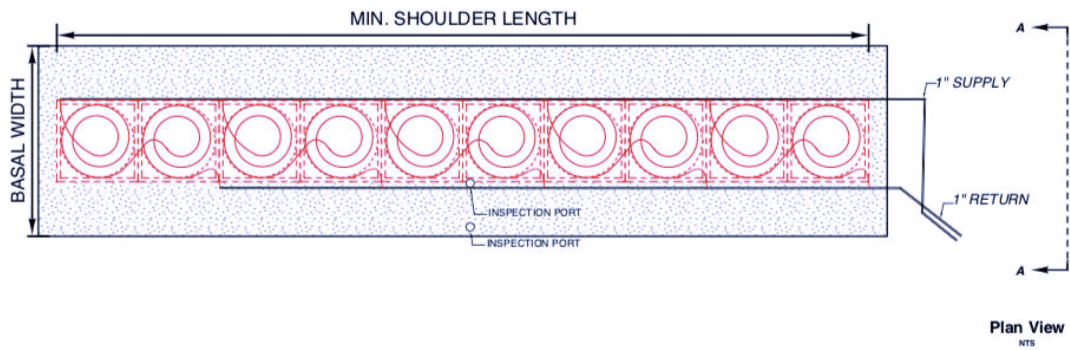


OSCAR-II, 500 gpd

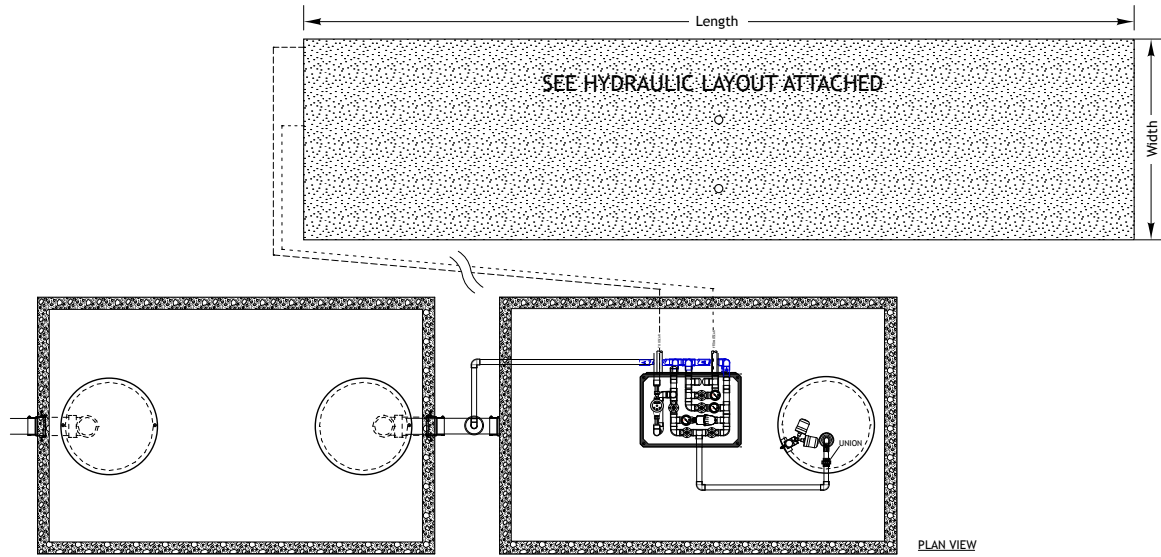


1000 gal. Treatment Vessel or
1500 gal. septic tank

1000 Gallon Pump Tank

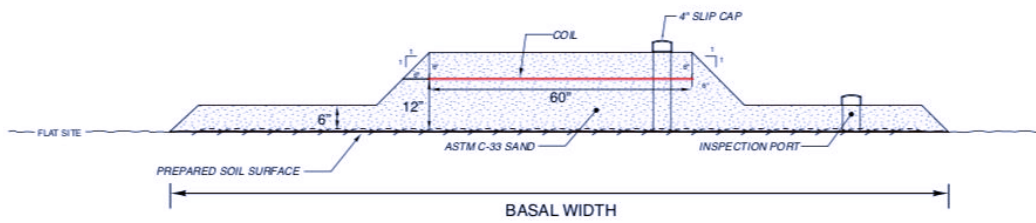
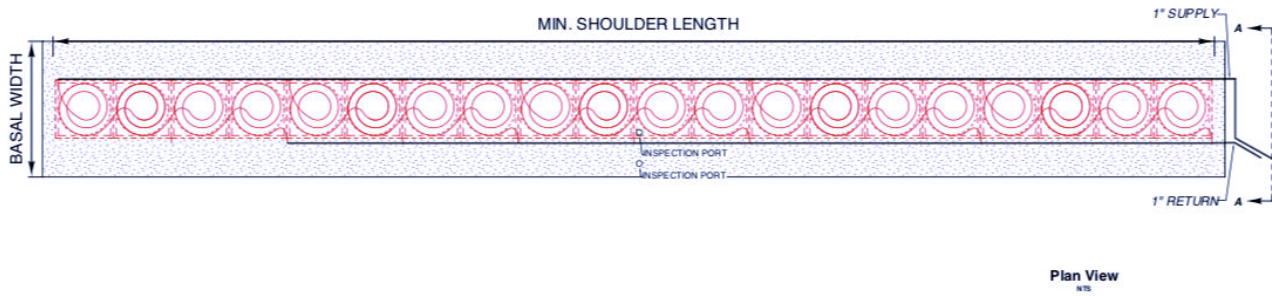


OSCAR-III, 500 gpd



1500 Gallon Septic Tank

1000 Gallon Pump Tank



OSCAR-in-a Box, 500 gpd

480 GAL / DAY

