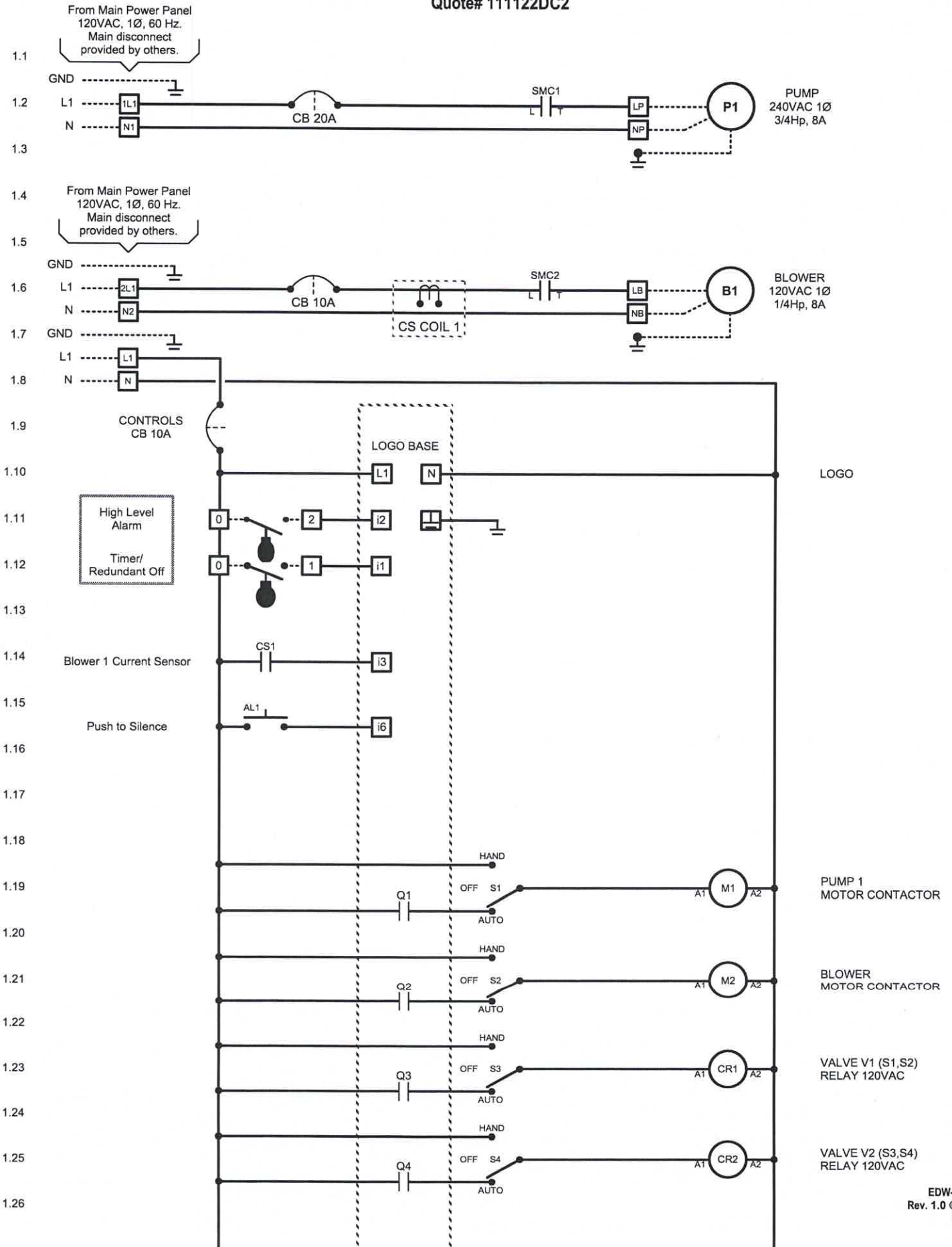
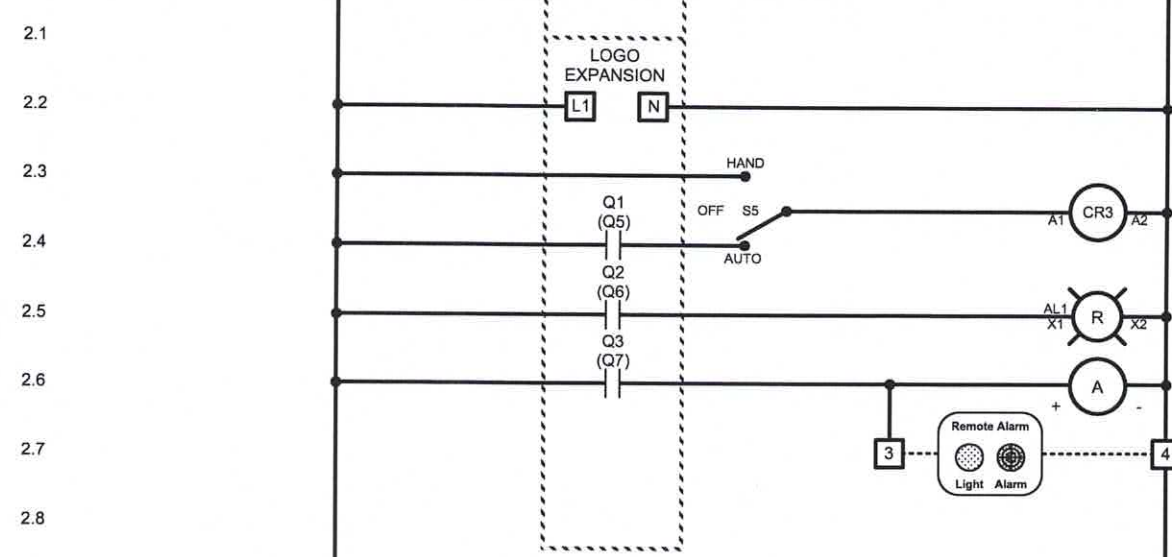


Panel Wiring Diagram Model LF1P-RF-AR

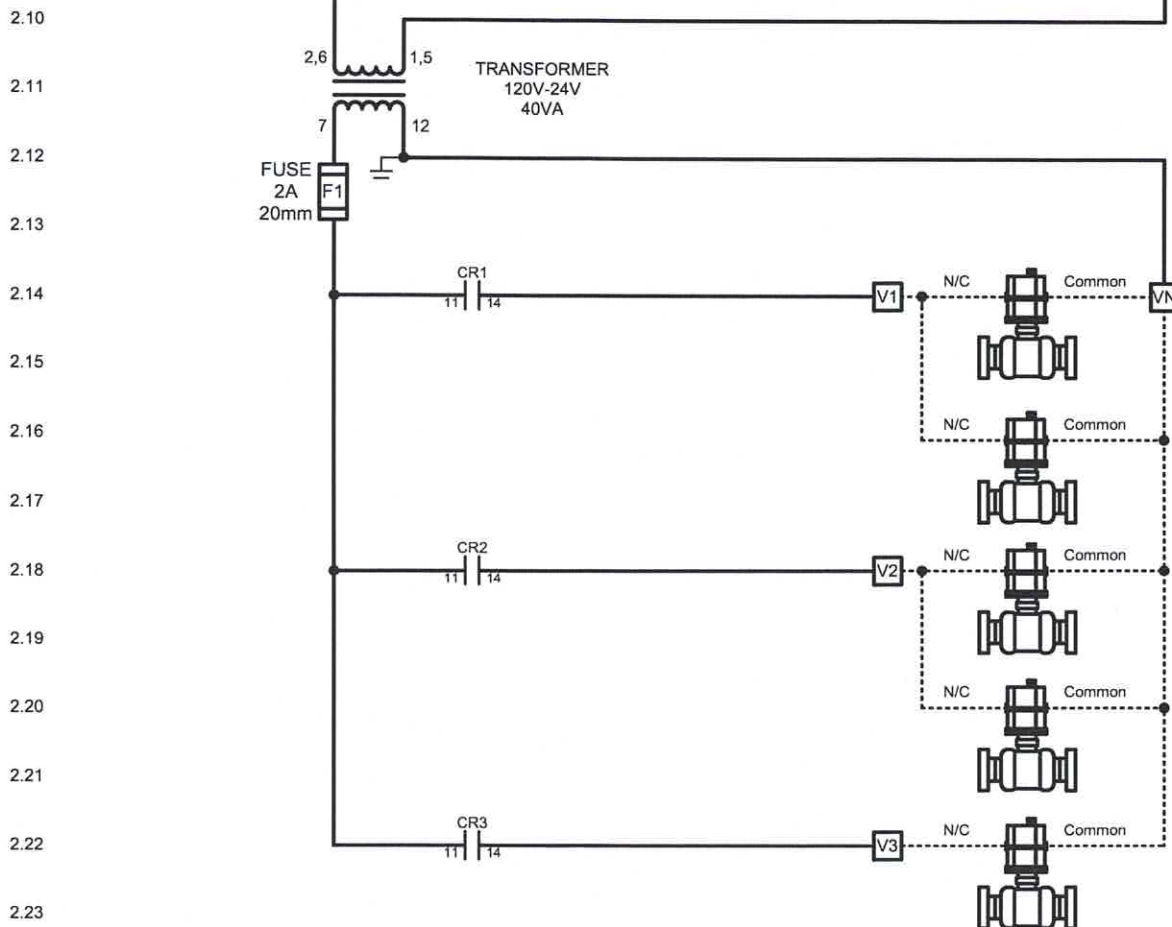
Quote# 111122DC2

— = Factory Wire
- - - = Field Wire





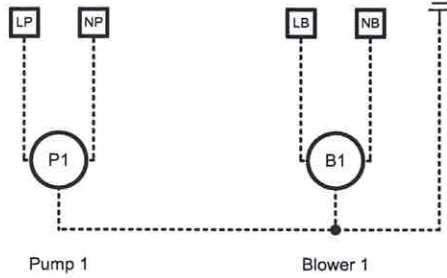
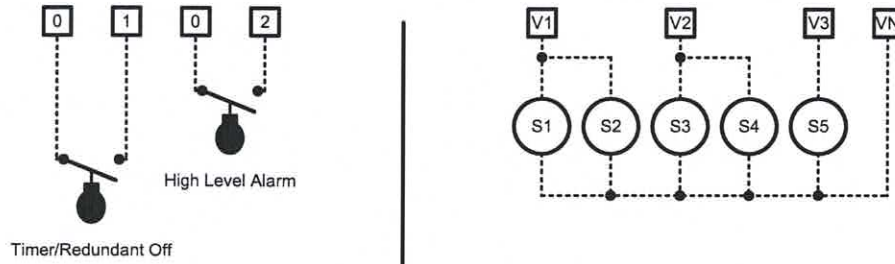
- LOGO EXPANSION
- VALVE V3 (S5)
RELAY 120VAC
- ALARM LIGHT
- AUDIBLE ALARM
- REMOTE ALARM
(AHW OR EQUIV.
120 VAC ALARM)



- SOLENOID VALVE S1
24VAC VALVE
PROVIDED BY OTHERS
- SOLENOID VALVE S2
24VAC VALVE
PROVIDED BY OTHERS
- SOLENOID VALVE S3
24VAC VALVE
PROVIDED BY OTHERS
- SOLENOID VALVE S4
24VAC VALVE
PROVIDED BY OTHERS
- SOLENOID VALVE S5
24VAC VALVE
PROVIDED BY OTHERS

2.1
2.2
2.3
2.4
2.5
2.6
2.7
2.8
2.9
2.10
2.11
2.12
2.13
2.14
2.15
2.16
2.17
2.18
2.19
2.20
2.21
2.22
2.23
2.24
2.25
2.26
2.27
2.28

Control Panel Connections



3.1
3.2
3.3
3.4
3.5
3.6
3.7
3.8
3.9
3.10
3.11
3.12
3.13
3.14
3.15
3.16
3.17
3.18
3.19
3.20
3.21
3.22
3.23
3.24
3.25
3.26
3.27