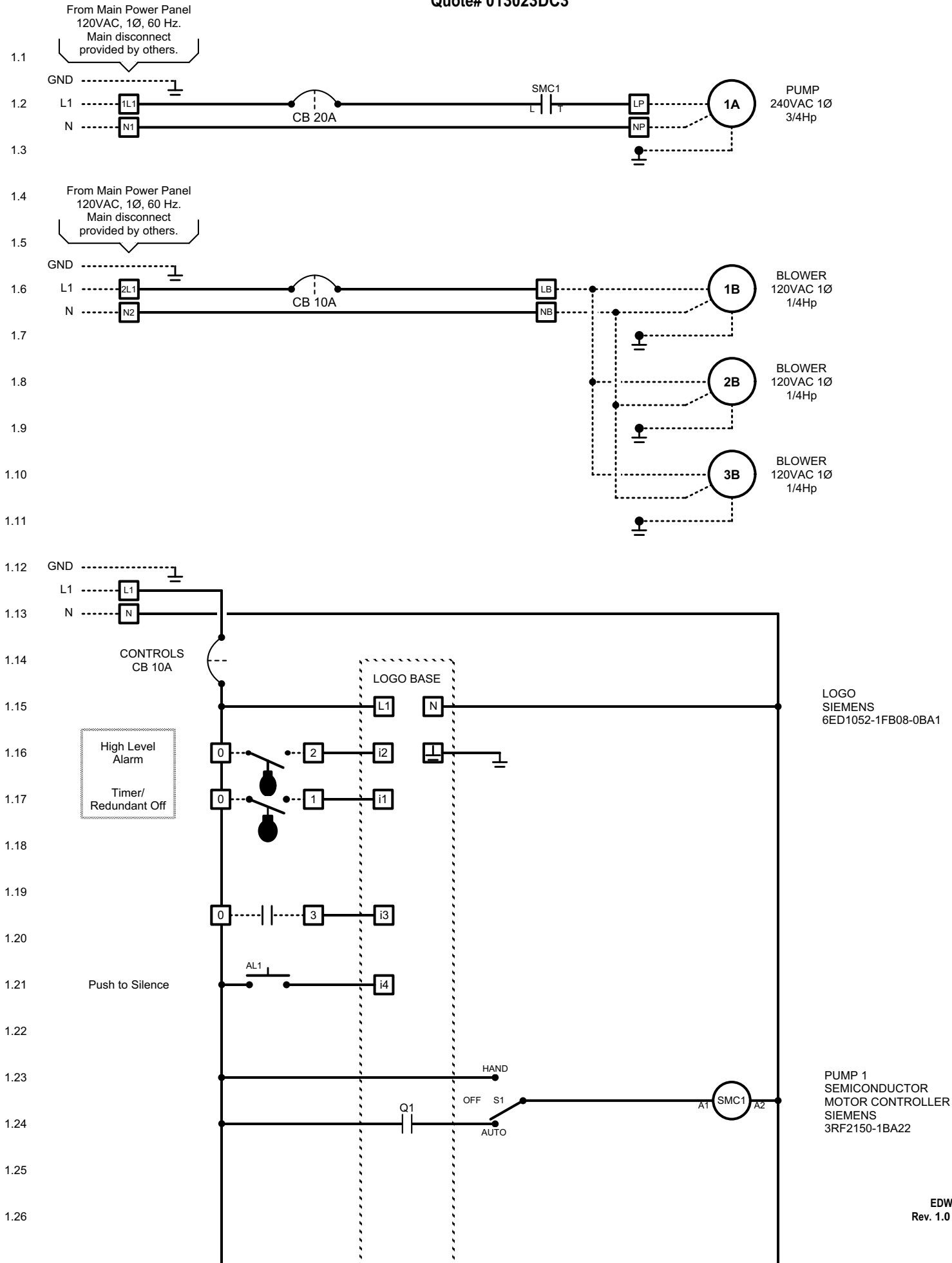
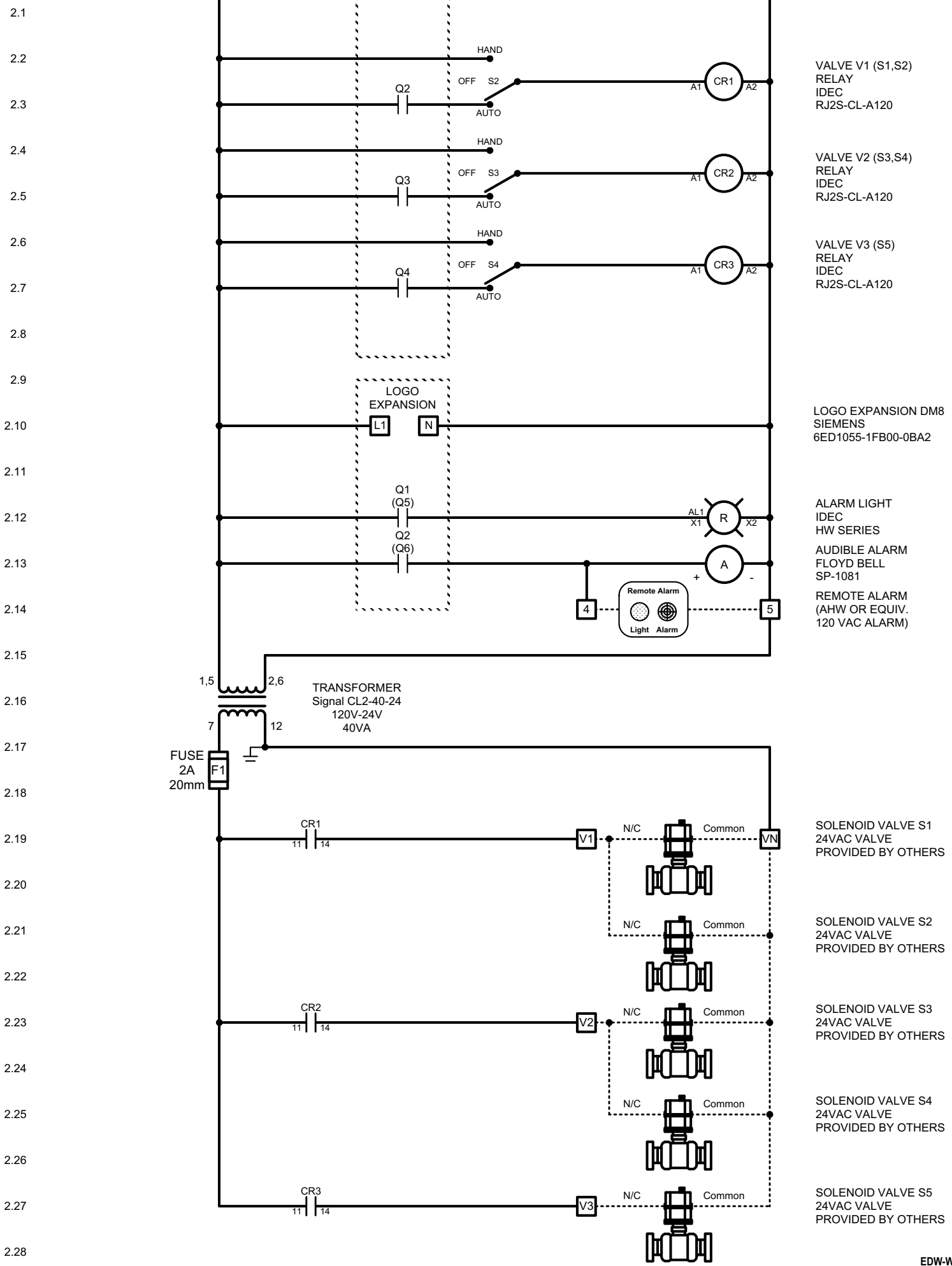


# Panel Wiring Diagram Model LF1P-RF-ARA

Quote# 013023DC3

— = Factory Wire  
- - - = Field Wire





3.1  
3.2  
3.3  
3.4  
3.5  
3.6  
3.7  
3.8  
3.9  
3.10  
3.11  
3.12  
3.13  
3.14  
3.15  
3.16  
3.17  
3.18  
3.19  
3.20  
3.21  
3.22  
3.23  
3.24  
3.25  
3.26  
3.27

# Control Panel Connections

