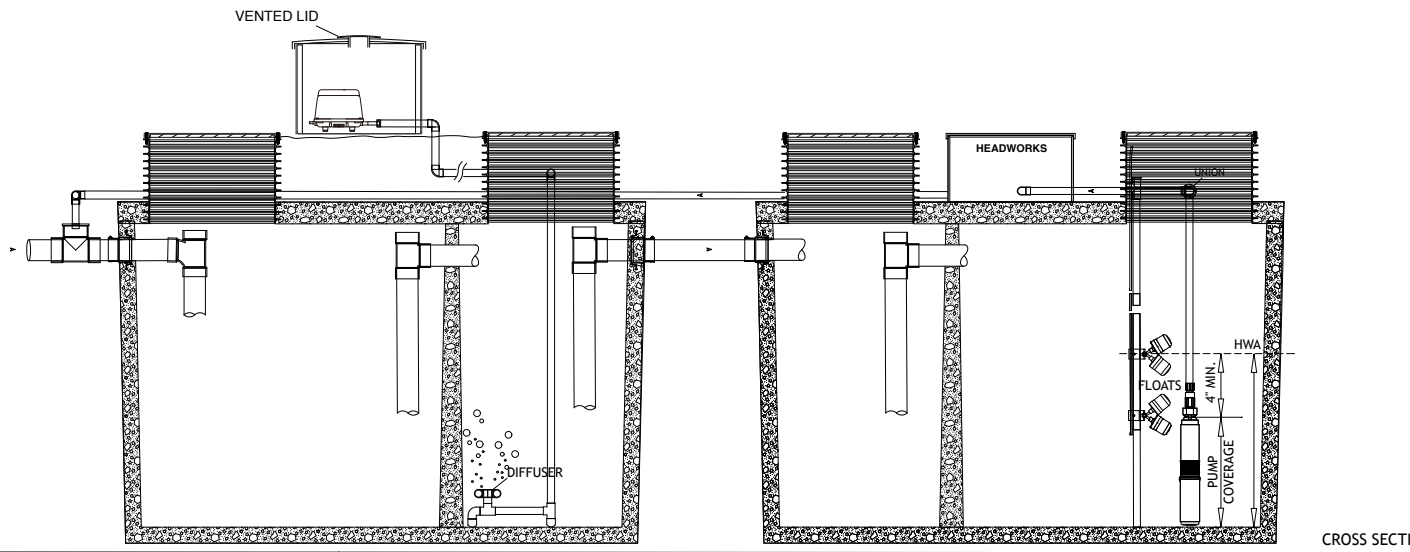
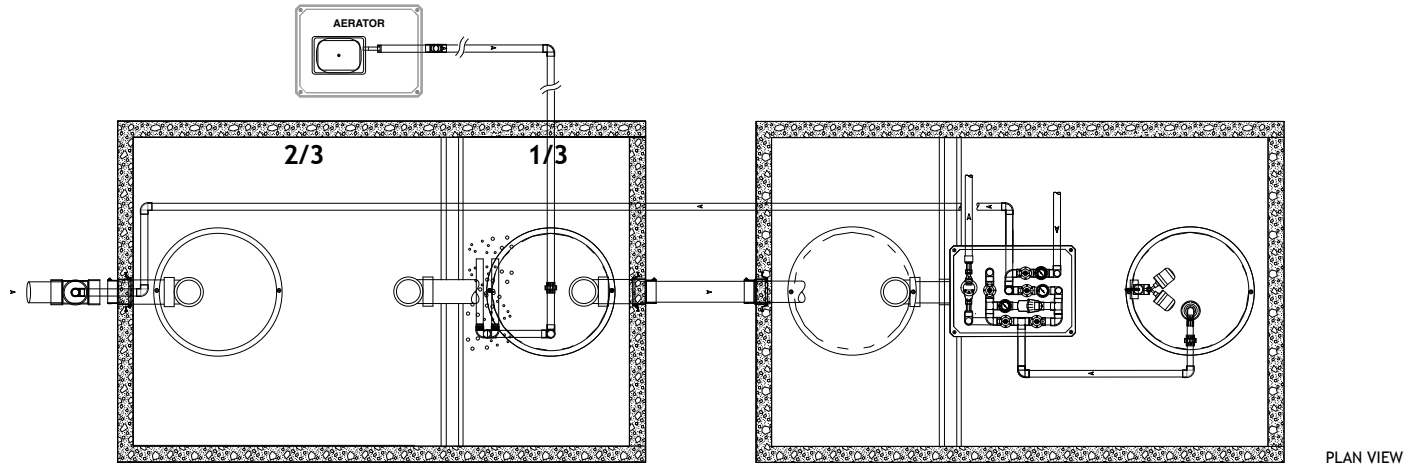


# XO2 Tanks, Option 2

Pre-cast Concrete Treatment Tank

Pre-cast Concrete Discharge Tank



LOWRIDGE ONSITE TECHNOLOGIES

DRAWING ID: XO2 Tanks, Option 2

SCALE: NTS

DRAWN BY: DBM

CK BY: DAVE LOWE

DATE: 8.2.2023  
RV