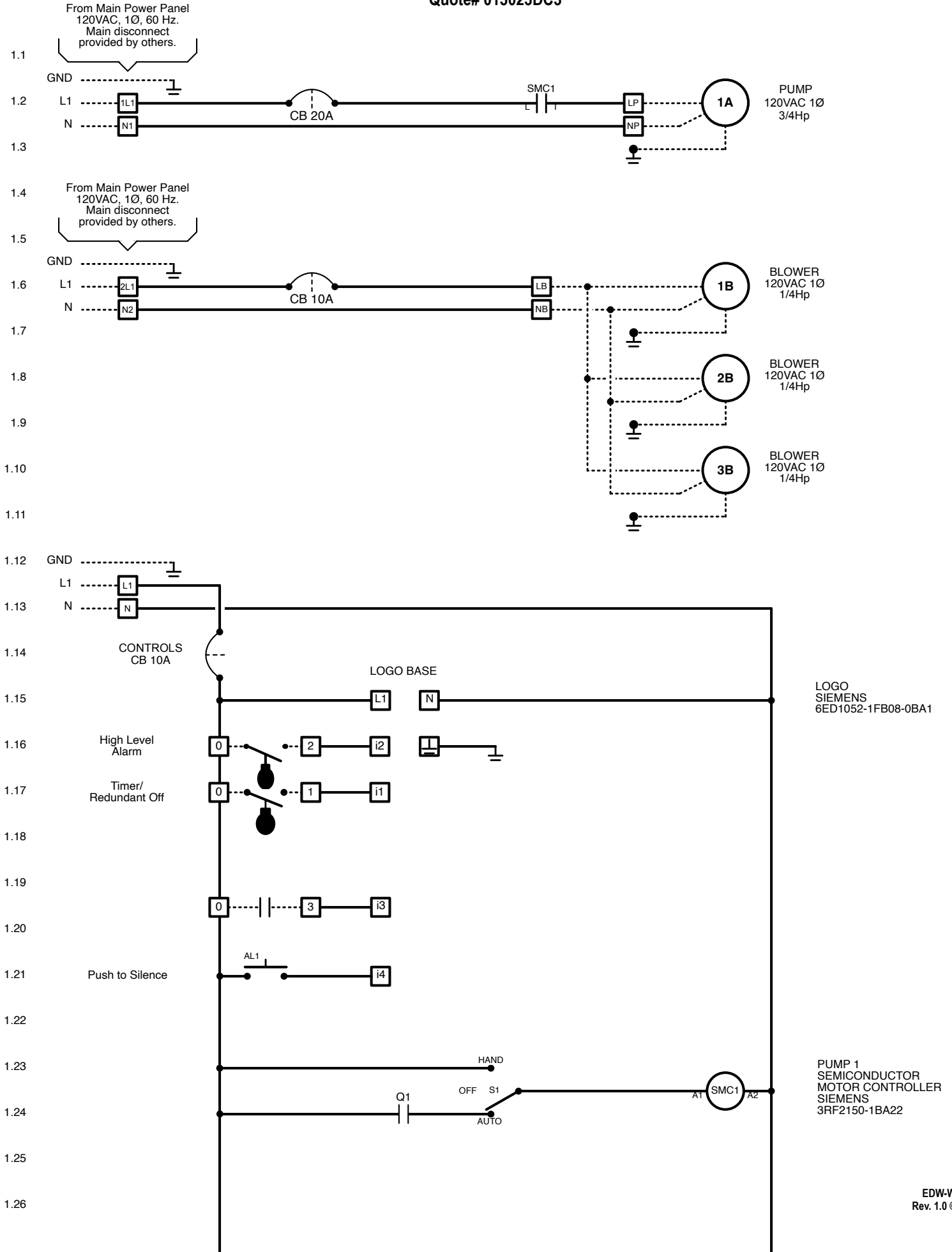
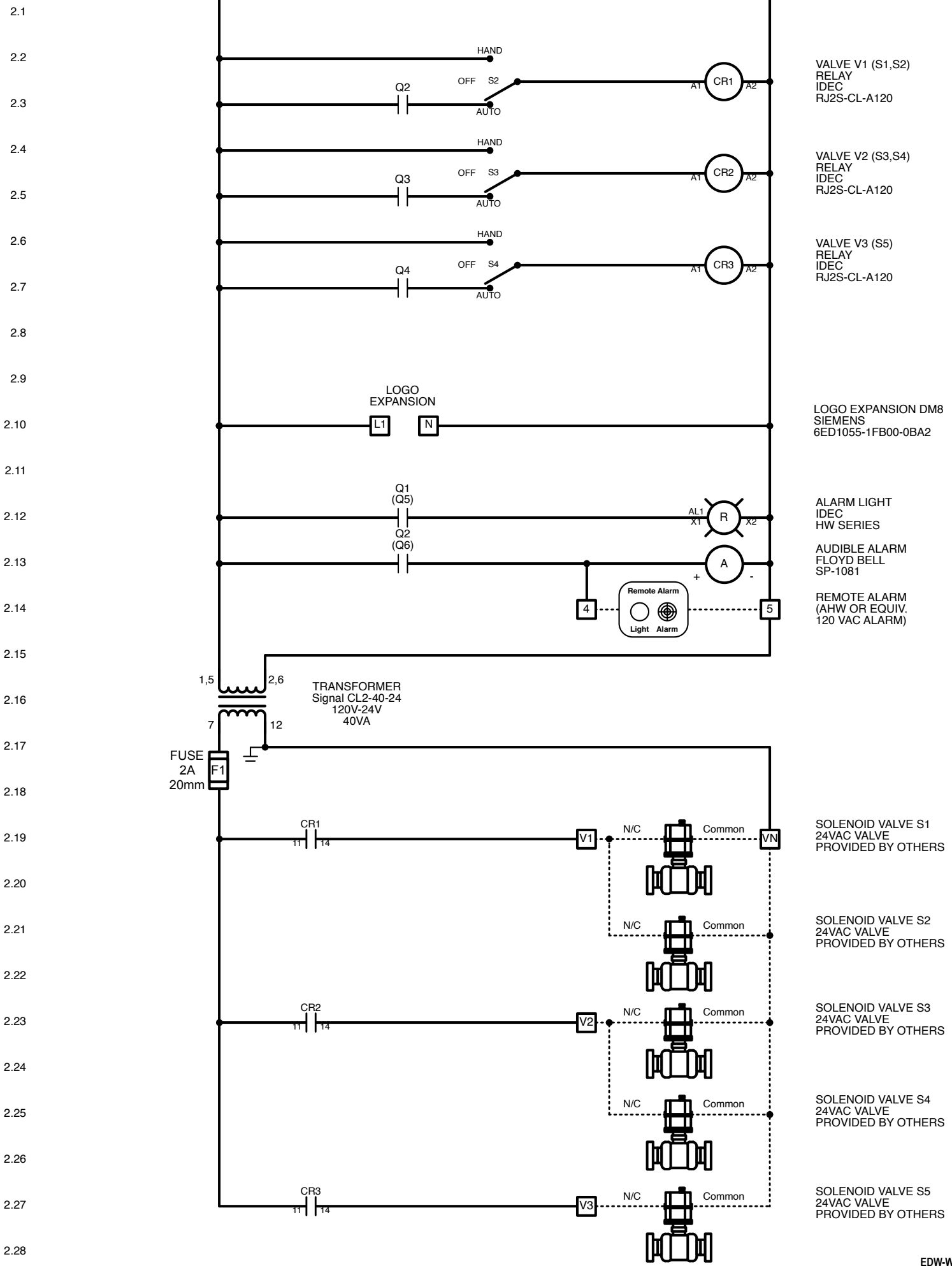


Panel Wiring Diagram Model LF1P-RF-ARA

Quote# 013023DC3





VALVE V1 (S1,S2)
RELAY
IDEC
RJ2S-CL-A120

VALVE V2 (S3,S4)
RELAY
IDEC
RJ2S-CL-A120

VALVE V3 (S5)
RELAY
IDEC
RJ2S-CL-A120

LOGO EXPANSION DM8
SIEMENS
6ED1055-1FB00-0BA2

ALARM LIGHT
IDEC
HW SERIES

AUDIBLE ALARM
FLOYD BELL
SP-1081

REMOTE ALARM
(AHW OR EQUIV.
120 VAC ALARM)

TRANSFORMER
Signal CL2-40-24
120V-24V
40VA

FUSE
2A
20mm

SOLENOID VALVE S1
24VAC VALVE
PROVIDED BY OTHERS

SOLENOID VALVE S2
24VAC VALVE
PROVIDED BY OTHERS

SOLENOID VALVE S3
24VAC VALVE
PROVIDED BY OTHERS

SOLENOID VALVE S4
24VAC VALVE
PROVIDED BY OTHERS

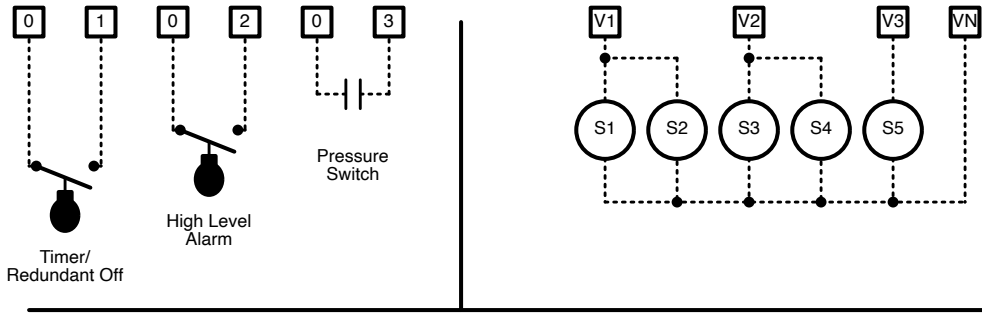
SOLENOID VALVE S5
24VAC VALVE
PROVIDED BY OTHERS

3.1

3.2

Control Panel Connections

3.3



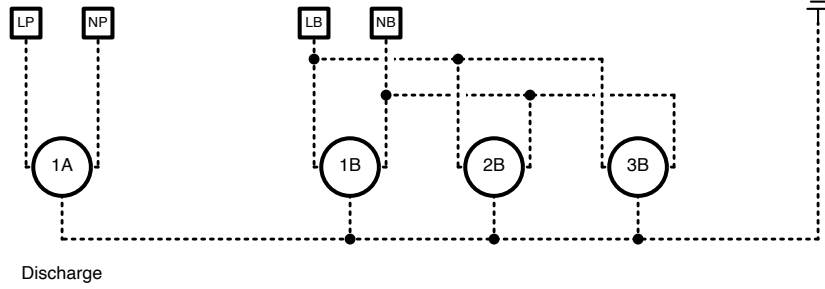
3.4

3.5

3.6

3.7

3.8



3.9

3.10

3.11

3.12

3.13

3.14

3.15

3.16

3.17

3.18

3.19

3.20

3.21

3.22

3.23

3.24

3.25

3.26

3.27