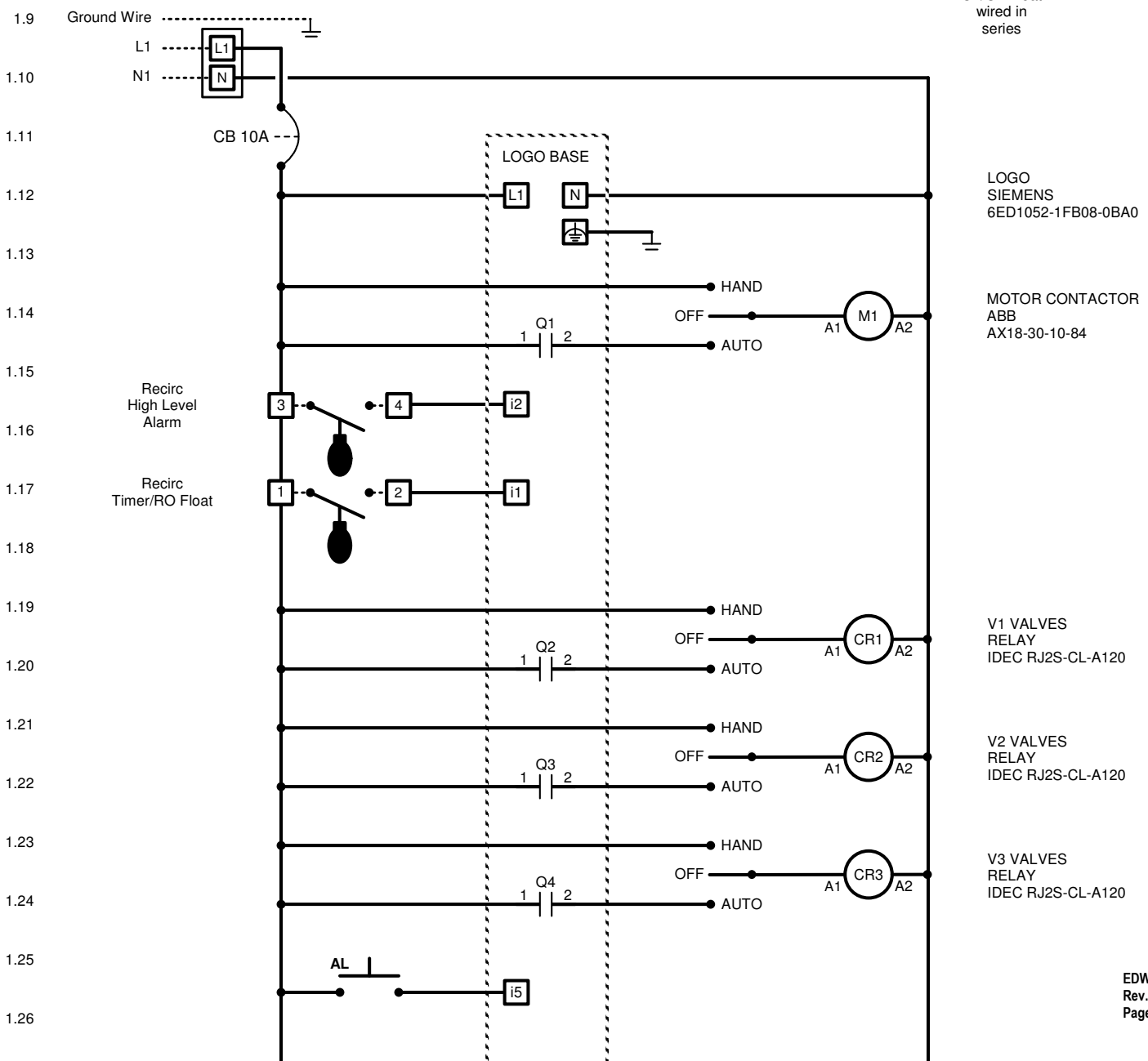
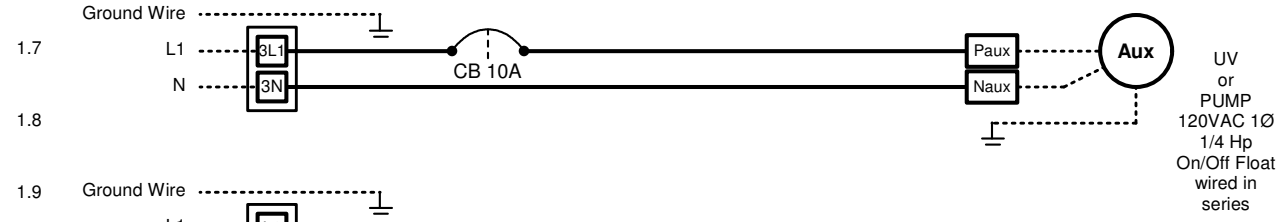
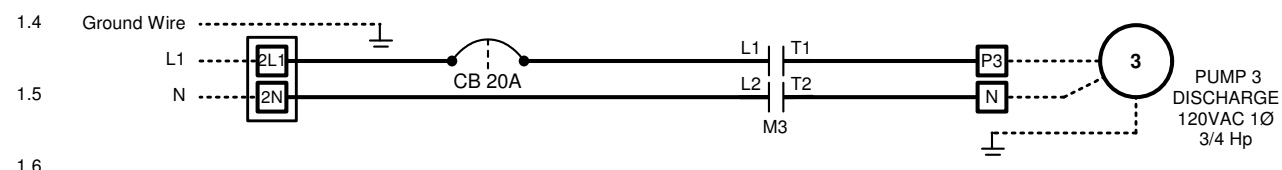
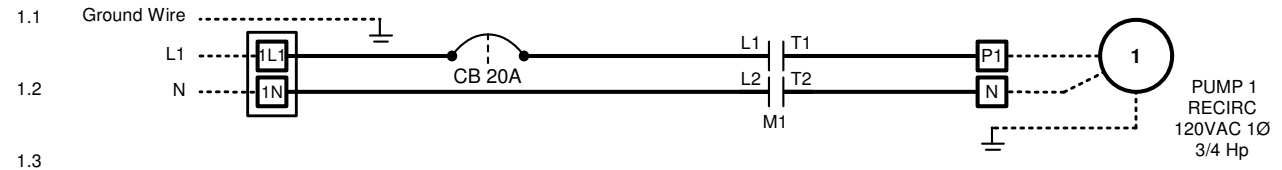


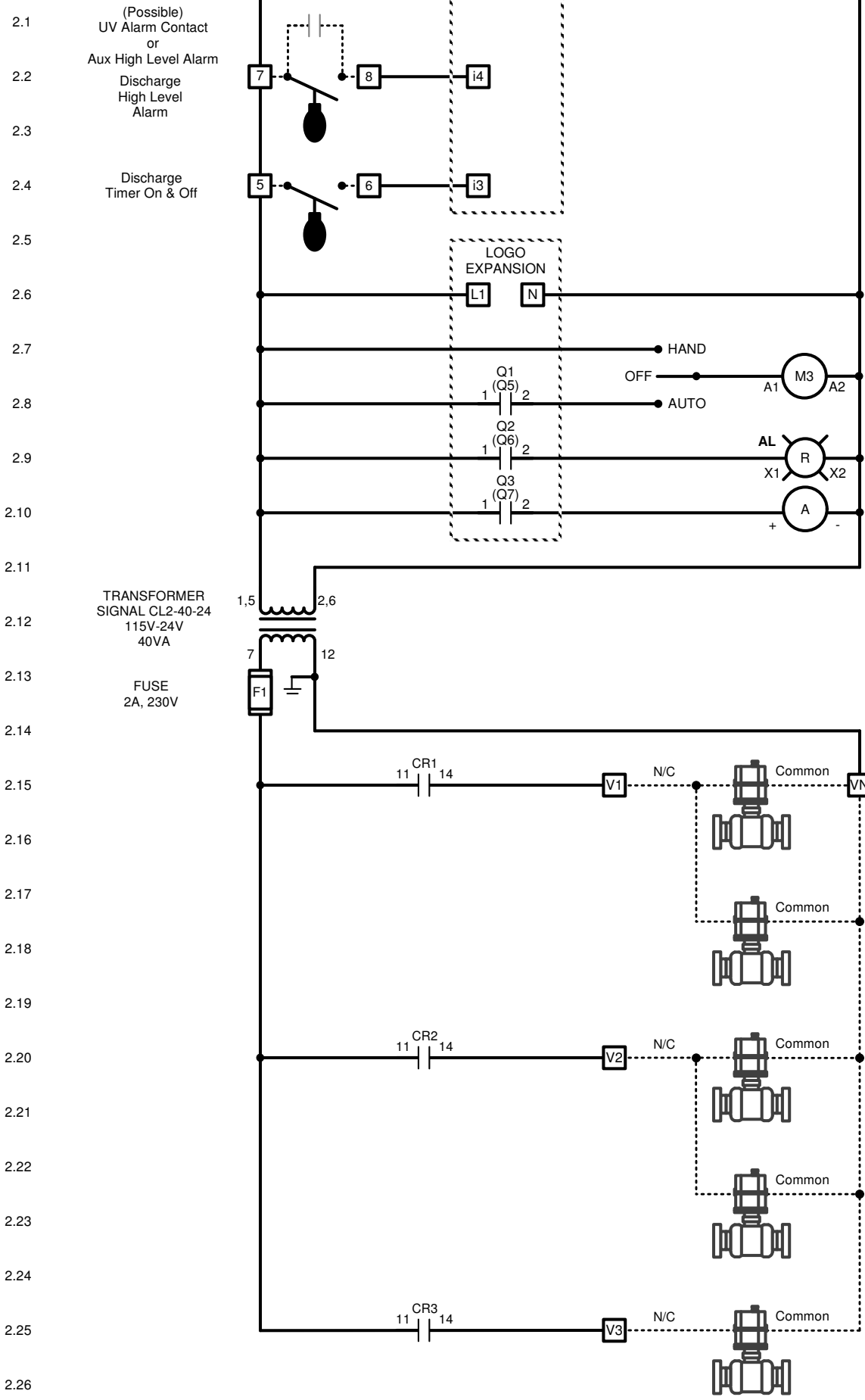
Control Panel Wiring Diagram

Model LF2P-RF-OS-AUX

— = Factory Wire
 - - - = Field Wire

From Main Power Panel
 120 VAC, 1 Phase, 60 Hz.
 Branch disconnect
 provided by others.





2.1 (Possible)
UV Alarm Contact
or
Aux High Level Alarm

2.2 Discharge
High Level
Alarm

2.3

2.4 Discharge
Timer On & Off

2.5

2.6

2.7

2.8

2.9

2.10

2.11

2.12

2.13

2.14

2.15

2.16

2.17

2.18

2.19

2.20

2.21

2.22

2.23

2.24

2.25

2.26

2.27

DM8
SIEMENS
6ED1055-1FB00-0BA2

MOTOR CONTACTOR
ABB
AX18-30-10-84

LEVEL ALARM LIGHT
SIEMENS 3SU1 SERIES

AUDIBLE ALARM
FLOYD BELL
SP-1081

TRANSFORMER
SIGNAL CL2-40-24
115V-24V
40VA

FUSE
2A, 230V

SOLENOID VALVE 1
S1 24VAC VALVE
PROVIDED BY OTHERS

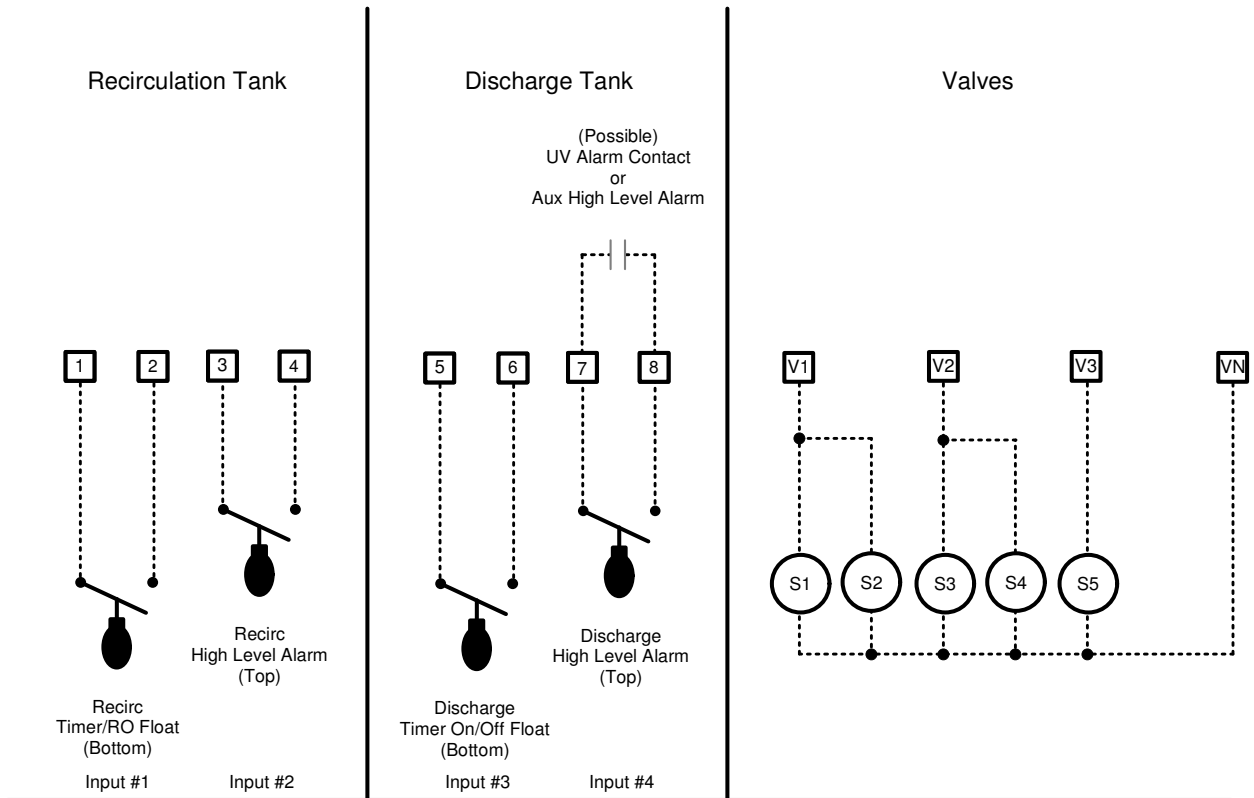
SOLENOID VALVE 2
S2 24VAC VALVE
PROVIDED BY OTHERS

SOLENOID VALVE 3
S3 24VAC VALVE
PROVIDED BY OTHERS

SOLENOID VALVE 4
S4 24VAC VALVE
PROVIDED BY OTHERS

SOLENOID VALVE 5
S5 24VAC VALVE
PROVIDED BY OTHERS

Control Panel Connections



Pumps & Aux

