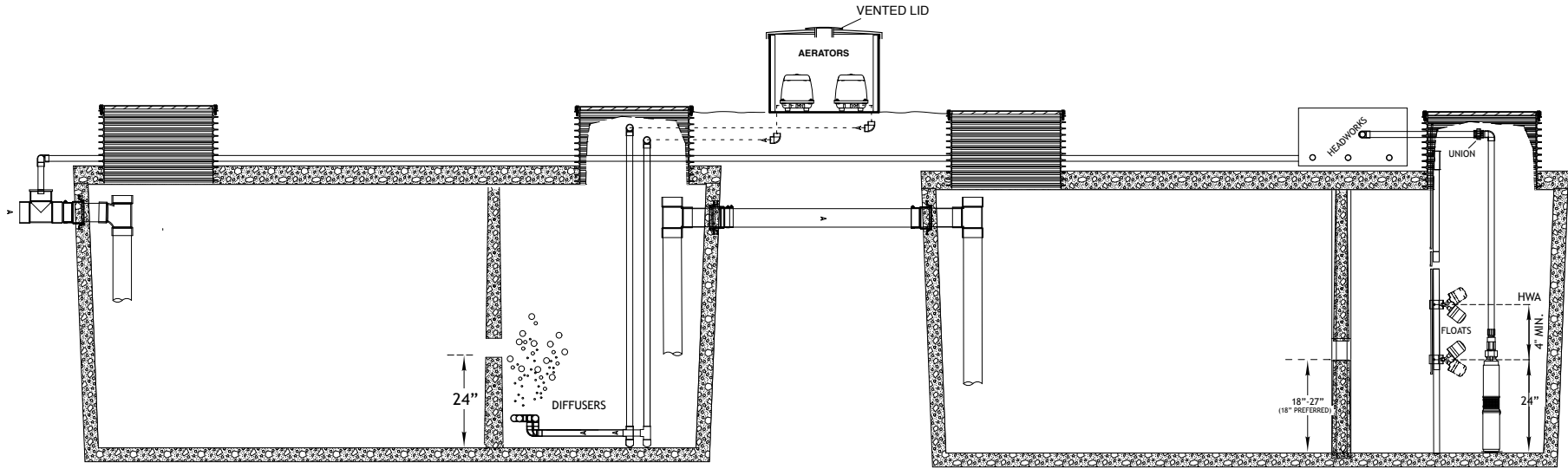
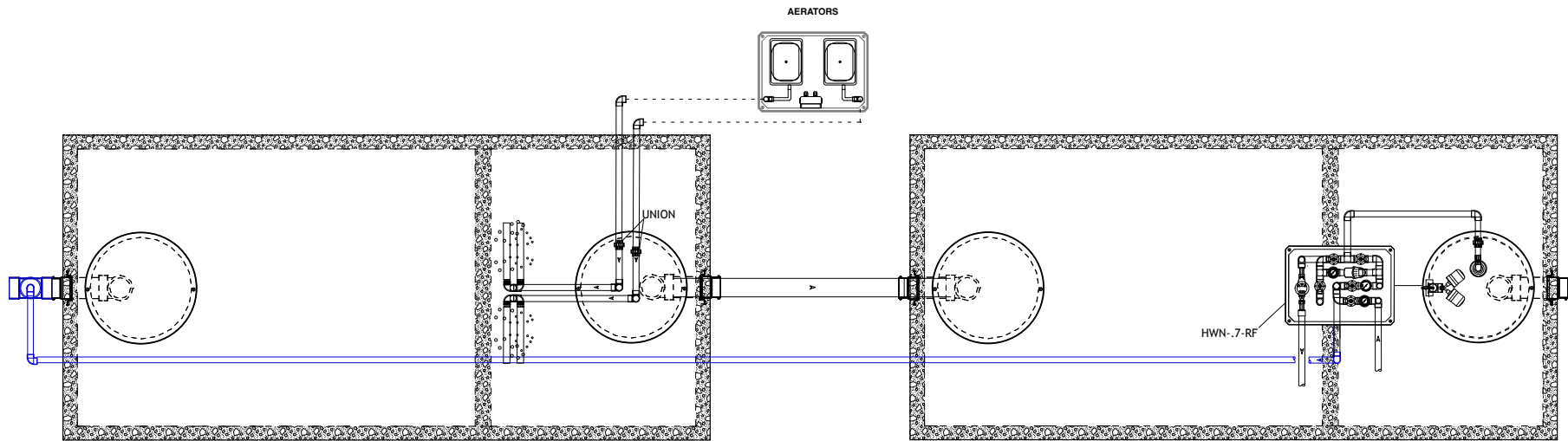


XO2+1 1500 GAL. TANKS



1500 GAL. 2 COMPARTMENT SEPTIC /
AERATION TANK

1500 GAL. CLARIFIER/
DISCHARGE TANK



LOWRIDGE ONSITE TECHNOLOGIES

DRAWING ID: XO2+1 1500 GAL. TANKS

SCALE: NTS

DRAWN BY: DBM

CK BY: DAVE LOWE

DATE: 06.24.2023
RV 10.16.2023