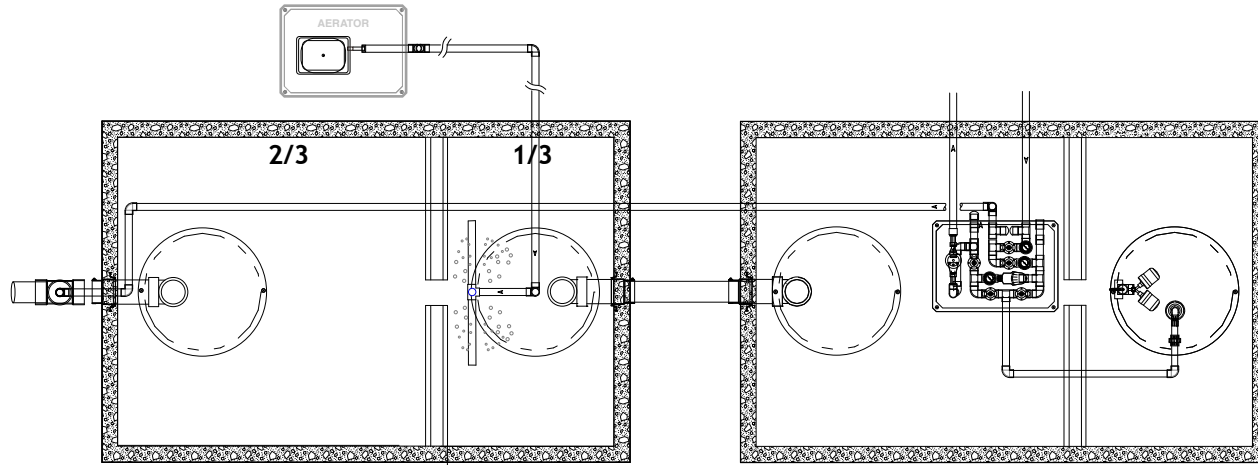


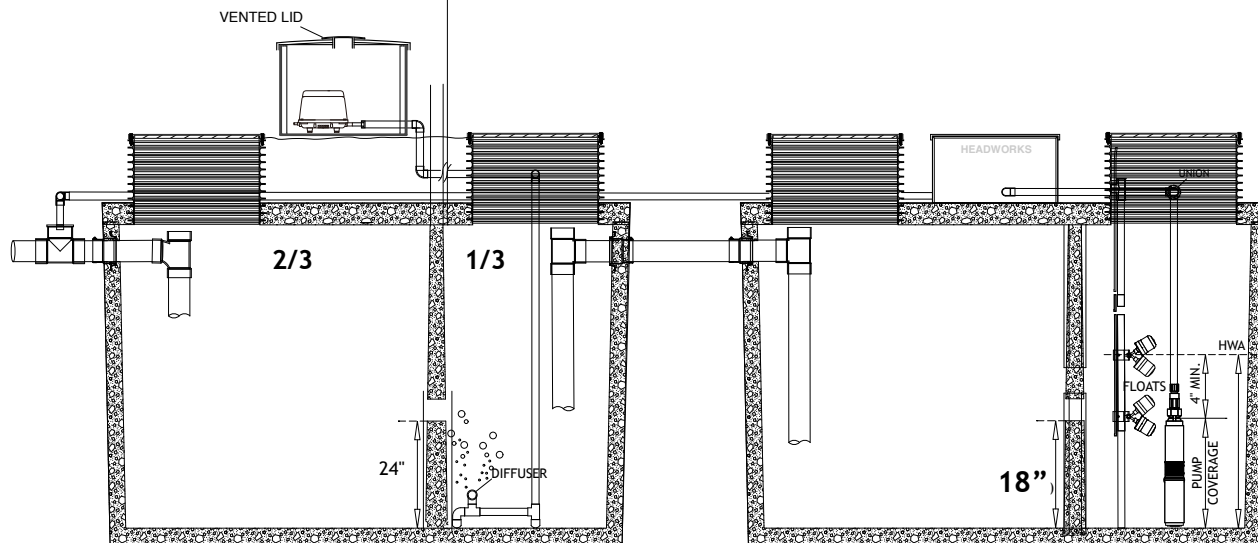
XO2 Tanks

Pre-cast Concrete
Septic Tank
1500 gallon

Pre-cast Concrete
Discharge Tank
1000 gallon



PLAN VIEW



CROSS SECTION

LOWRIDGE ONSITE TECHNOLOGIES

DRAWING ID: XO2 Tanks

SCALE: NTS

DRAWN BY: DBM

CK BY: DAVE LOWE

DATE: rv: 02.22.2023